

VARTA MICROBATTERY Batteries and Battery Packs



NEW PRODUCT NEW PRODUCT NEW PRODUCT NEW PRODUCT

VARTA RECHARGABLE NICKEL-METAL HYDRIDE BUTTON CELLS

- Nominal cell voltage 1.2 V
- Built-in safety device
- Long life expectancy at trickle charge: up to 6 years at 20°C up to 3 years at 45°C
- Wide operating temperature range
- No memory effect
- Cycle applications (IEC): 1,000 cycles
- Bare cells

High Capacity Series

- UL Recognition
- Limited fast charge possible (within 3 h at 0.5 CA, at +20°C, after fully discharged cells)
- Suitable for overcharging at room temperature
- Self-discharge less than 10% after 1 month at +20°C

For quantities of 200 and up, call for quote.

MOUSER STOCK NO.	Varta Part No.	Fig.	Type	Capacity mAh	Dimensions (In.)			Price Each			
					Length	Width	Dia. x Height	1	10	50	100
672-55602	55602101501	A	V15H	16	-	-	0.45 x 0.12	1.20	1.14	1.08	1.02
672-55604	55604101501	A	V40H	43	-	-	0.45 x 0.21	1.60	1.52	1.44	1.36
672-55608	55608101501	A	V80H	80	-	-	0.61 x 0.24	1.82	1.73	1.64	1.55
672-55615	55615101501	B	V150H	150	0.56	1.01	.23 (H)	2.00	1.90	1.80	1.70
672-55620	55620101501	B	V200H	220	0.56	1.01	.29 (H)	2.08	1.98	1.87	1.77
672-55625	55625101501	A	V250H	250	-	-	0.99 x 0.26	2.14	2.03	1.93	1.82
672-55630	55630101501	A	CP300H	300	-	-	0.99 x 0.30	2.14	2.03	1.93	1.82
672-55635	55635101501	A	V350H	380	-	-	0.99 x 0.35	2.20	2.09	1.98	1.87

High Temperature Series

- UL Recognition
- Limited fast charge possible (within 3 h at 0.5 CA, at +20 C, after fully discharged cells)
- Suitable for overcharging at room temperature
- Self-discharge less than 10% after 1 month at +20°C
- Long life expectancy especially at charging/trickle charging and discharging at higher ambient temperature

For quantities of 200 and up, call for quote.

MOUSER STOCK NO.	Varta Part No.	Fig.	Type	Capacity mAh	Dimensions (In.)			Price Each			
					Length	Width	Dia. x Height	1	10	50	100
672-55707	55707101501	A	V65HT	70	-	-	.61 x .24	1.82	1.73	1.64	1.55
672-55711	55711101501	B	V110HT	120	0.56	1.01	.23 (H)	2.14	2.03	1.93	1.82
672-55851	55851101501	B	V500HRT	520	0.95	1.34	.25 (H)	3.44	3.27	3.10	2.92

High Rate Series

- Self-discharge less than 20% after 1 month at +20°C
- Long life - typical 500 full cycles
- No memory effect

For quantities of 200 and up, call for quote.

MOUSER STOCK NO.	Varta Part No.	Fig.	Type	Capacity mAh	Dimensions (In.)			Price Each			
					Length	Width	Dia. x Height	1	10	50	100
672-55603	55603101501	C	V20HR	22	-	-	.49 x .09	1.34	1.27	1.21	1.14
672-55945	55945101501	D	V450HR	460	0.95	1.34	0.21 (H)	2.24	2.13	2.02	1.90
672-55960	55960101501	D	V600HR	600	0.95	1.34	0.25 (H)	3.84	3.65	3.46	3.26

VARTA RECHARGABLE NICKEL-METAL HYDRIDE 9V BATTERY

MOUSER STOCK NO.	Varta Part No.	Fig.	Type	Capacity mAh	Dimensions (In.)			Price Each			
					Length x Width x Height	1	10	50	100		
672-05522	05522101052	E	V7/8 150	150	1.91 x 1.05 x 0.62			10.64	10.11	9.58	9.04

VARTA RECHARGABLE NICKEL-METAL HYDRIDE BUTTON CELL BATTERIES FOR MEMORY PROTECTION

- These batteries are designed for memory backup (MBU) and support to RTC (Real Time Clock) in various electronic applications.
- Button cell batteries in the charged state are suitable for wave soldering.

For quantities of 200 and up, call for quote.

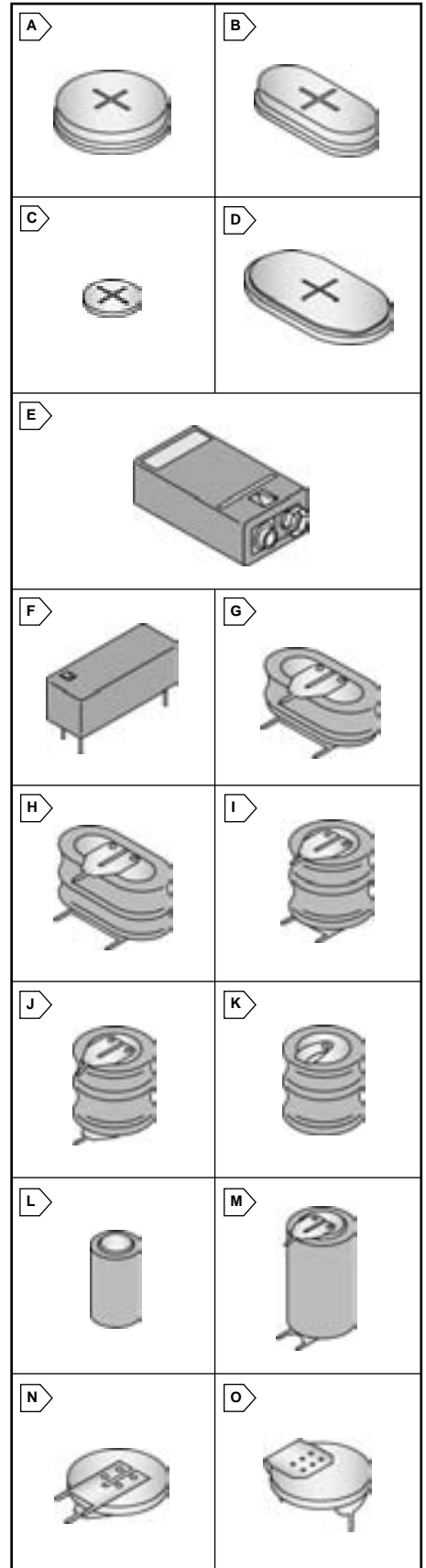
MOUSER STOCK NO.	Varta Part No.	Fig.	Type	No. of Cells/Pins	Capacity mAh	Price Each			
						1	10	50	100
672-55615702	55615702012	F	2/V150H MEMPAC	2/4	150	6.10	5.80	5.49	5.19
672-55615703	55615703012	F	3/V150H MEMPAC	3/4	150	8.96	8.51	8.06	7.62
672-55615302	55615302059	G	2/V150H	2/3	150	4.98	4.73	4.48	4.23
672-55615303	55615303059	H	3/V150H	3/3	150	7.38	7.01	6.64	6.27
672-55608303059	55608303059	I	3/V80H	3/3	80	5.66	5.38	5.09	4.81
672-55608303012	55608303012	J	3/V80H	3/2	80	5.66	5.38	5.09	4.81
672-55608303060	55608303060	K	3/V80H	3/tabs	80	5.66	5.38	5.09	4.81

VARTA LITHIUM BATTERIES

- High open circuit and load voltage (above 3 V per cell)
- High capacity and high rate cell construction
- High energy density (400 Wh/kg and 600 Wh/l)
- Flat discharge profile under low to medium rate applications

For quantities of 200 and up, call for quote.

MOUSER STOCK NO.	Varta Part No.	Fig.	Type	Capacity mAh	Dimensions (In.)		Price Each			
					Dia. x Height	1	10	50	100	
672-61271	6127101301	L	CR1/2AA	950	0.58 x 0.99		4.32	4.10	3.89	3.67
672-61272	6127201301	M	CR1/2AASLF	950	0.58 x 0.99		4.98	4.73	4.48	4.23
672-62371	6237101301	L	CR2/3AA	1350	0.58 x 1.32		4.90	4.66	4.41	4.17
672-60322	6032201501	N	CR2032 SLF	230	.79 x .13		1.10	1.05	0.99	0.94
672-60324	6032401501	O	CR2032 PCB	230	.79 x .13		1.10	1.05	0.99	0.94



Varta Batteries

NEW PRODUCT NEW PRODUCT NEW PRODUCT NEW PRODUCT