

: ANALOG GND
 : DIGITAL GND
 : FRAME GND

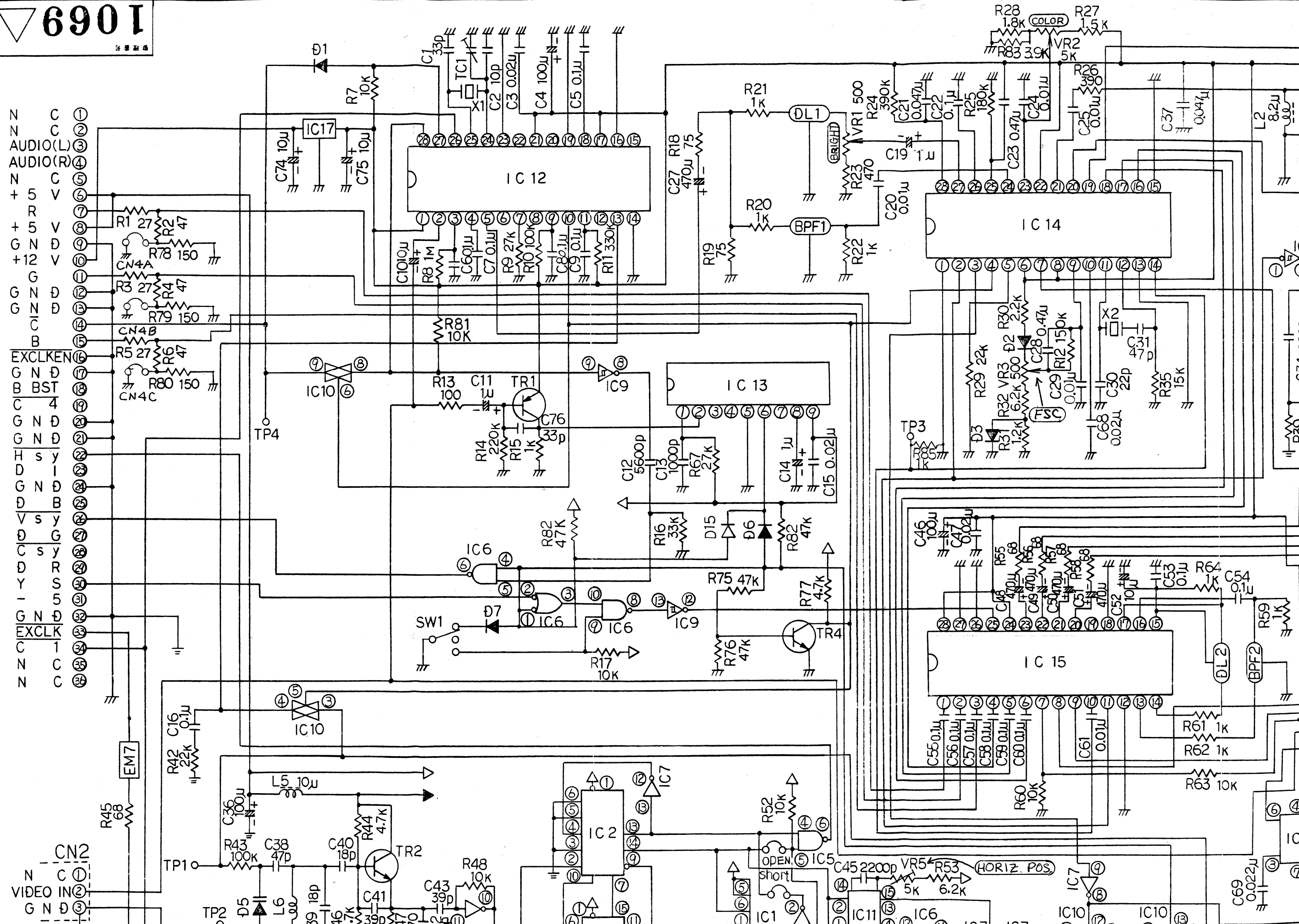
CN3
 VIDEO OUT
 OG N D

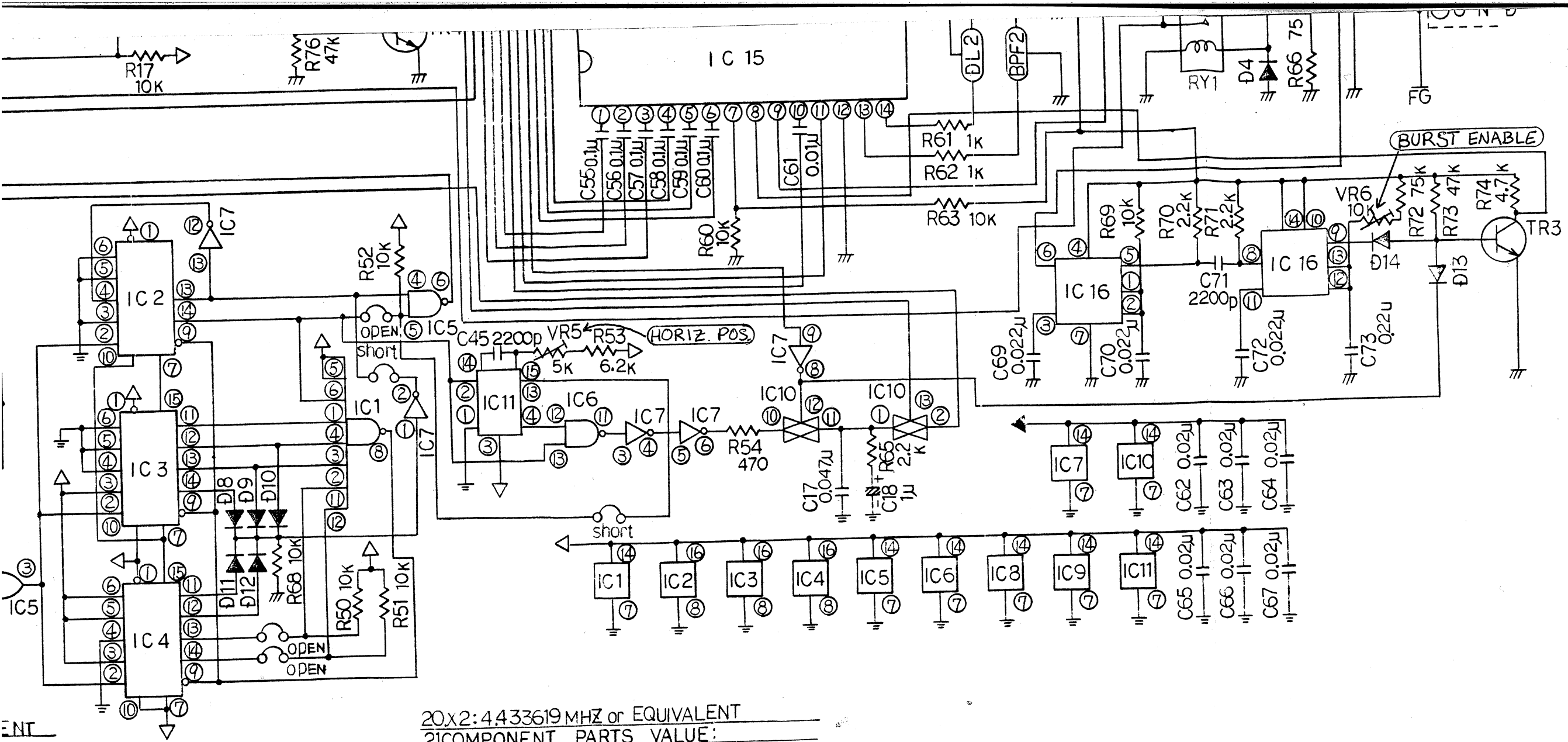
CN1
 N C
 N C
 B G R
 C-Sync
 V H
 C C C C C
 C C C C C
 C C C C C

BURST ENABLE

6901

台 灣 廣 達



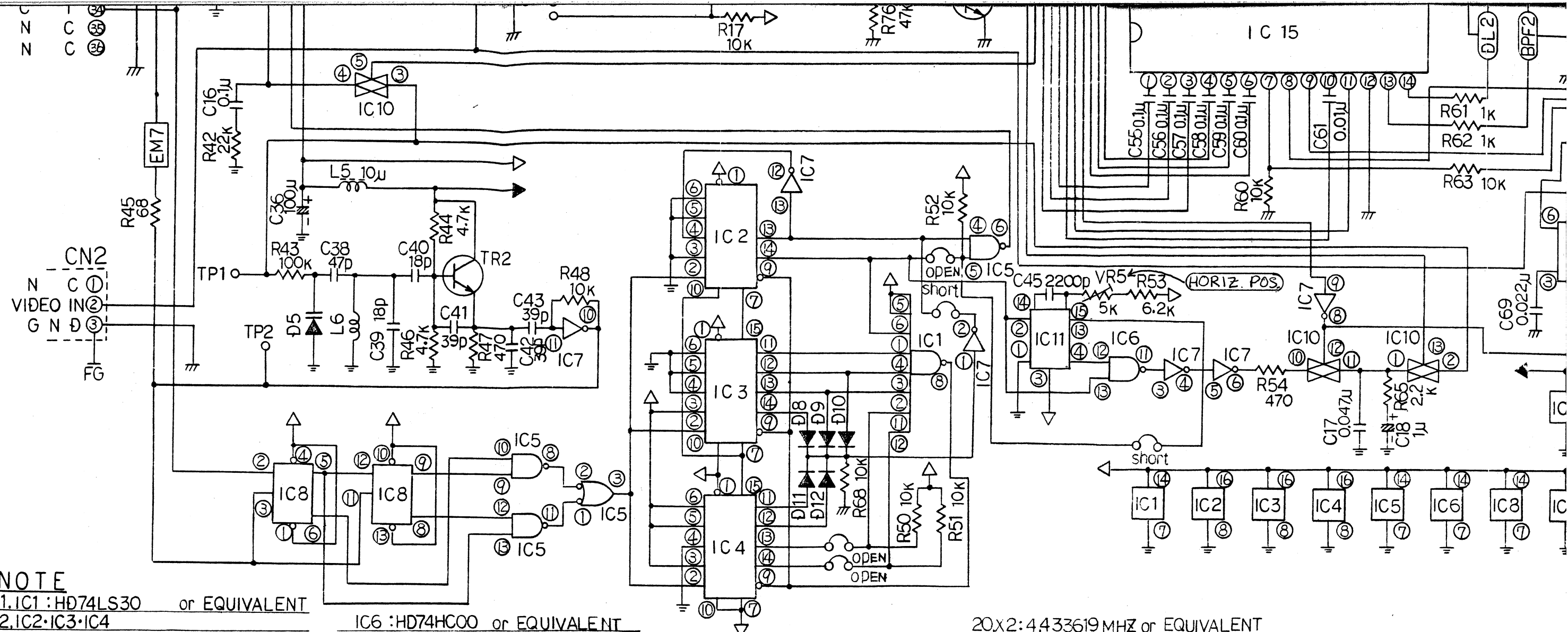


ENT
ENT
ENT
ENT
ENT
ENT
ENT
ENT

- 16. D6 ~ D12: 1SS106 or EQUIVALENT
- 17. TR1: 2SA564 or EQUIVALENT
- 18. TR2: 2SC460 or EQUIVALENT
- 19. X1: 3.546895MHZ or EQUIVALENT

20X2: 4.433619 MHZ or EQUIVALENT
 21 COMPONENT PARTS VALUE:
 R=Ω, C=F, L=H
 22. SW1 SHOWN IN COMPUTER ONLY POSITION
 23. CN4A-C SHORTED FOR 4 LAYER GERMAN
 BUILT A2000'S ONLY

A2301 (PAL) CIRCUIT DIAGRAM



NOTE

- 1. IC1 : HD74LS30 or EQUIVALENT
- 2. IC2·IC3·IC4 : HD74LS161 or EQUIVALENT
- 3. IC5 : HD74LS00 or EQUIVALENT
- 4. IC7 : HD74AC04 or EQUIVALENT
- 5. IC8 : HD74S74 or EQUIVALENT
- 6. IC9 : HD74HC14 or EQUIVALENT
- 7. IC10 : TC74HC4066 or EQUIVALENT
- 8. IC11 : HD74LS221 or EQUIVALENT
- 9. IC12 : V7010 or EQUIVALENT
- 10. IC13 : NJM2220S or EQUIVALENT
- 11. IC14 : V7020 or EQUIVALENT
- 12. IC15 : V7040 or EQUIVALENT
- 13. IC17 : V7805 or EQUIVALENT
- 14. D1~D4 : 1SS119 or EQUIVALENT
- 15. D5 : 1SV101 or EQUIVALENT
- 16. D6~D12 : 1SS106 or EQUIVALENT
- 17. TR1 : 2SA564 or EQUIVALENT
- 18. TR2 : 2SC460 or EQUIVALENT
- 19. X1 : 3.546895MHZ or EQUIVALENT

20X2: 4.433619MHZ or EQUIVALENT
 21COMPONENT PARTS VALUE:
 R=Ω, C=F, L=H
 22. SW1 SHOWN IN COMPUTER ONLY POSITION
 23. CN4A-C SHORTED FOR 4 LAYER GERMAN
 BUILT A2000'S ONLY