

Amiga

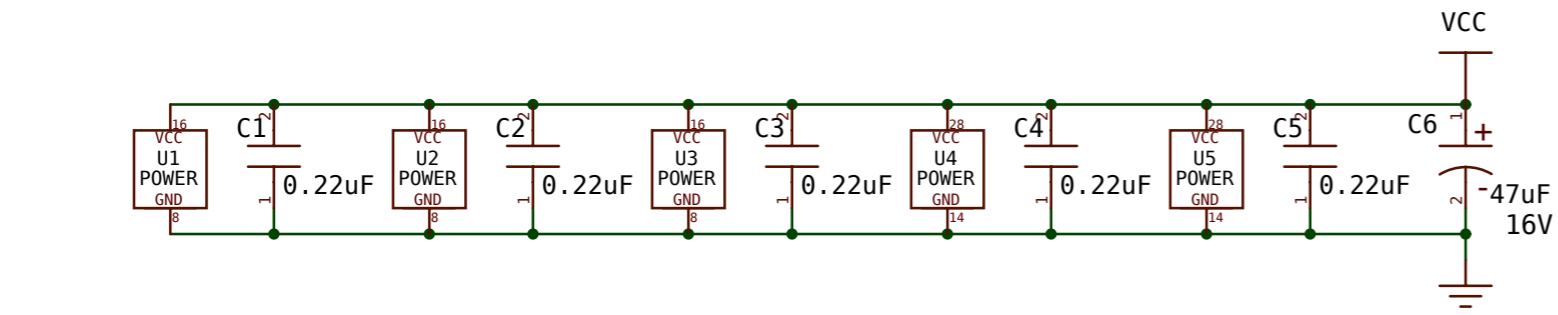
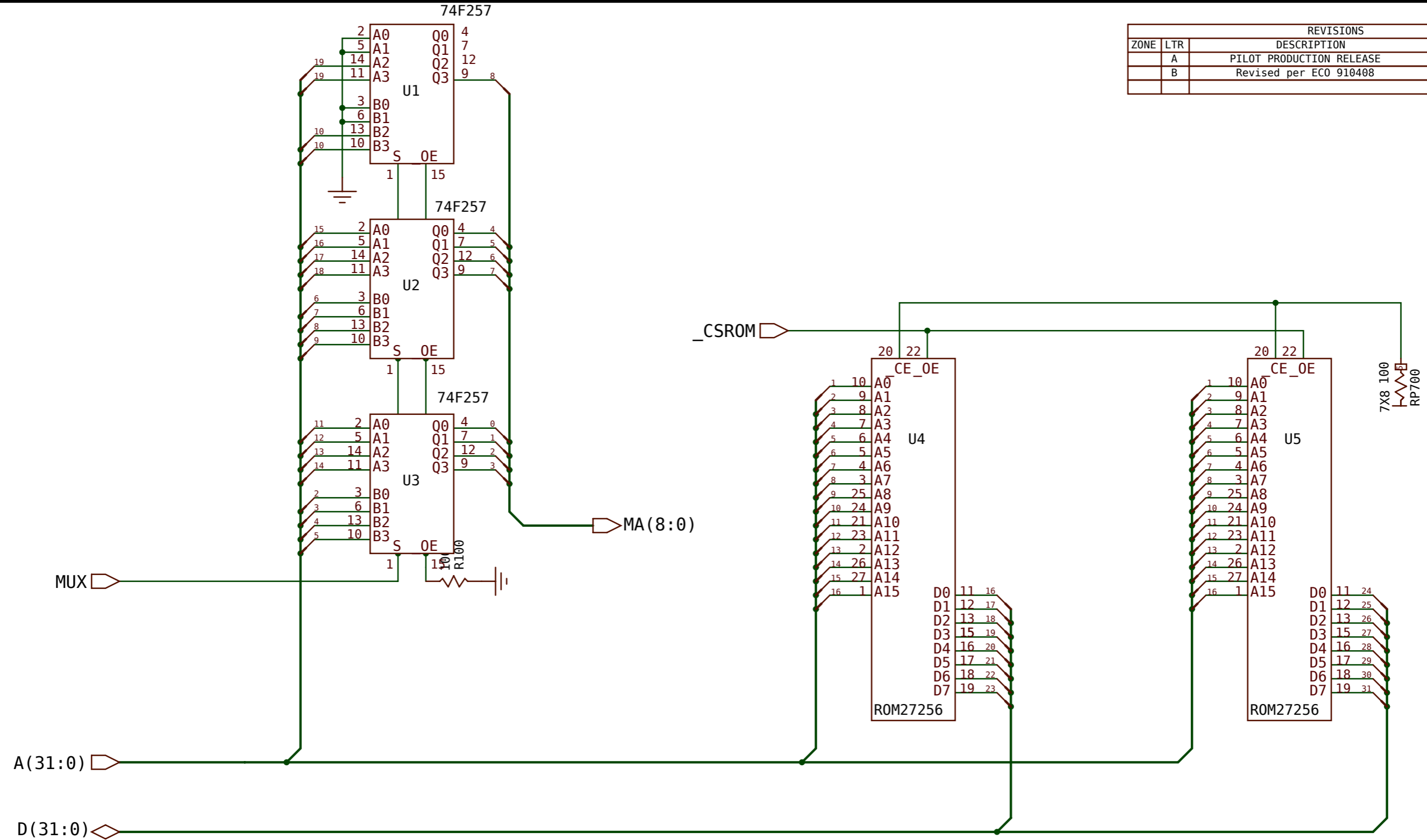
A2620

Rev.1.38 (09.09.2012)




www.amigawiki.org

REVISIONS				
ZONE	LTR	DESCRIPTION	DATE	APPROVED
	A	PILOT PRODUCTION RELEASE	9/19/88	J. Porter
	B	Revised per ECO 910408	2/7/92	

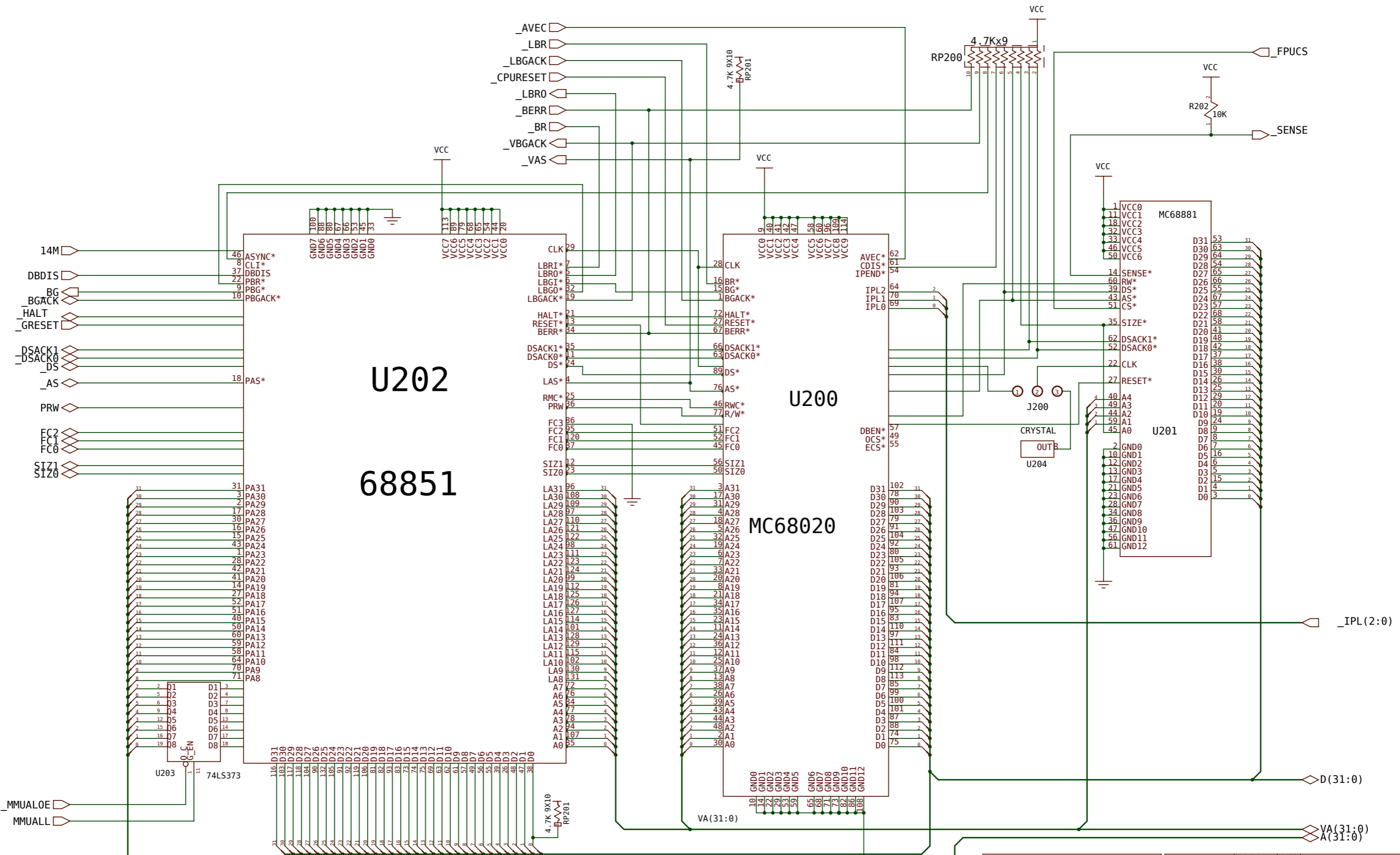


© 1988 COMMODORE BUSINESS MACHINES
 Information contained herein is the unpublished, confidential and trade secret property of Commodore Business Machines, Inc. Any use, reproduction or disclosure of this information without the prior written permission of Commodore is strictly prohibited.

C.A.D. Generated
 No manual changes may be made to this document

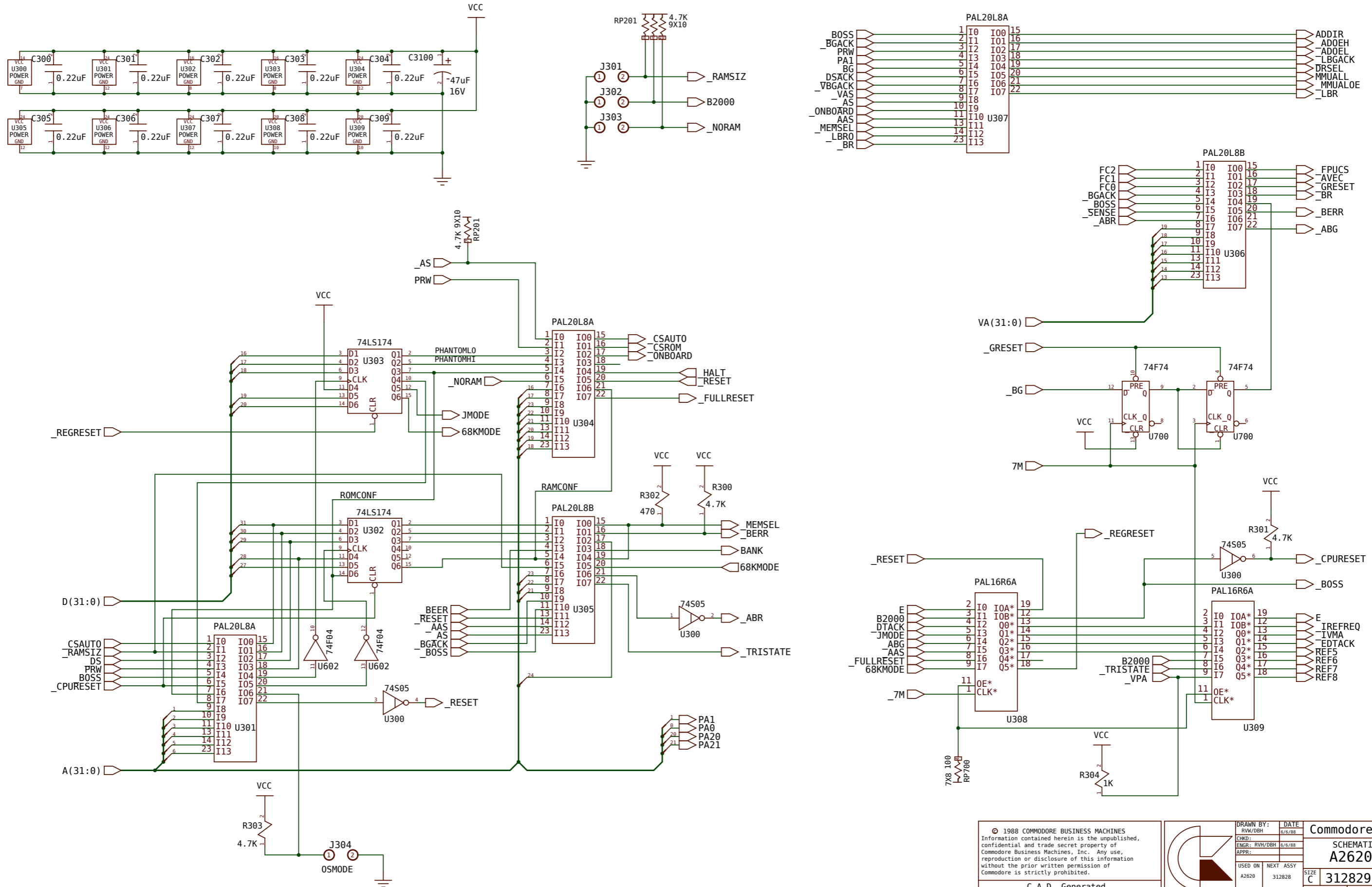
	DRAWN BY: RVW/DBH	DATE: 6/6/88	Commodore SCHEMATIC A2620
	CHKD: ENGR: RVW/DBH	DATE: 6/6/88	
	APPR:		
USED ON: A2620	NEXT ASSY: 312828	SIZE: C	312829 SCALE NONE SHEET 1 OF 7

Rev. 1.38 (09.09.2012)



Rev. 1.3B (08-09-2012)


© 1988 COMMODORE BUSINESS MACHINES Information contained herein is the unpublished, confidential and trade secret property of Commodore Business Machines, Inc. Any use, reproduction or disclosure of this information without the prior written permission of Commodore is strictly prohibited.		DRAWN BY: R/W/DBH ENG'D: R/W/DBH APPR: USED ON: A2620 NEXT ASSY: 312828		DATE: 6/6/88 Commodore SCHEMATIC A2620 SIZE: C 312829 SCALE: NONE SHEET: 2 OF 7	
C.A.D. Generated No manual changes may be made to this document			PATH: -haynie/amiga/a2620 sheet2		



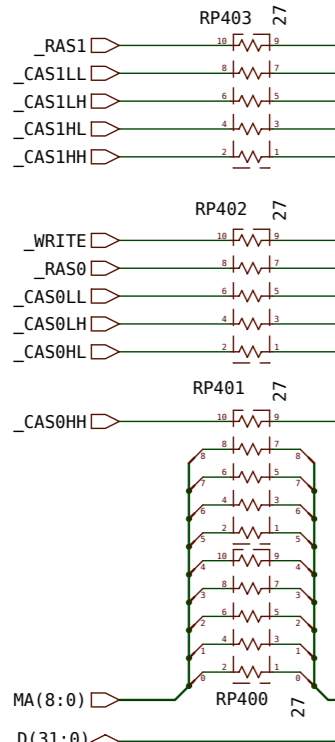
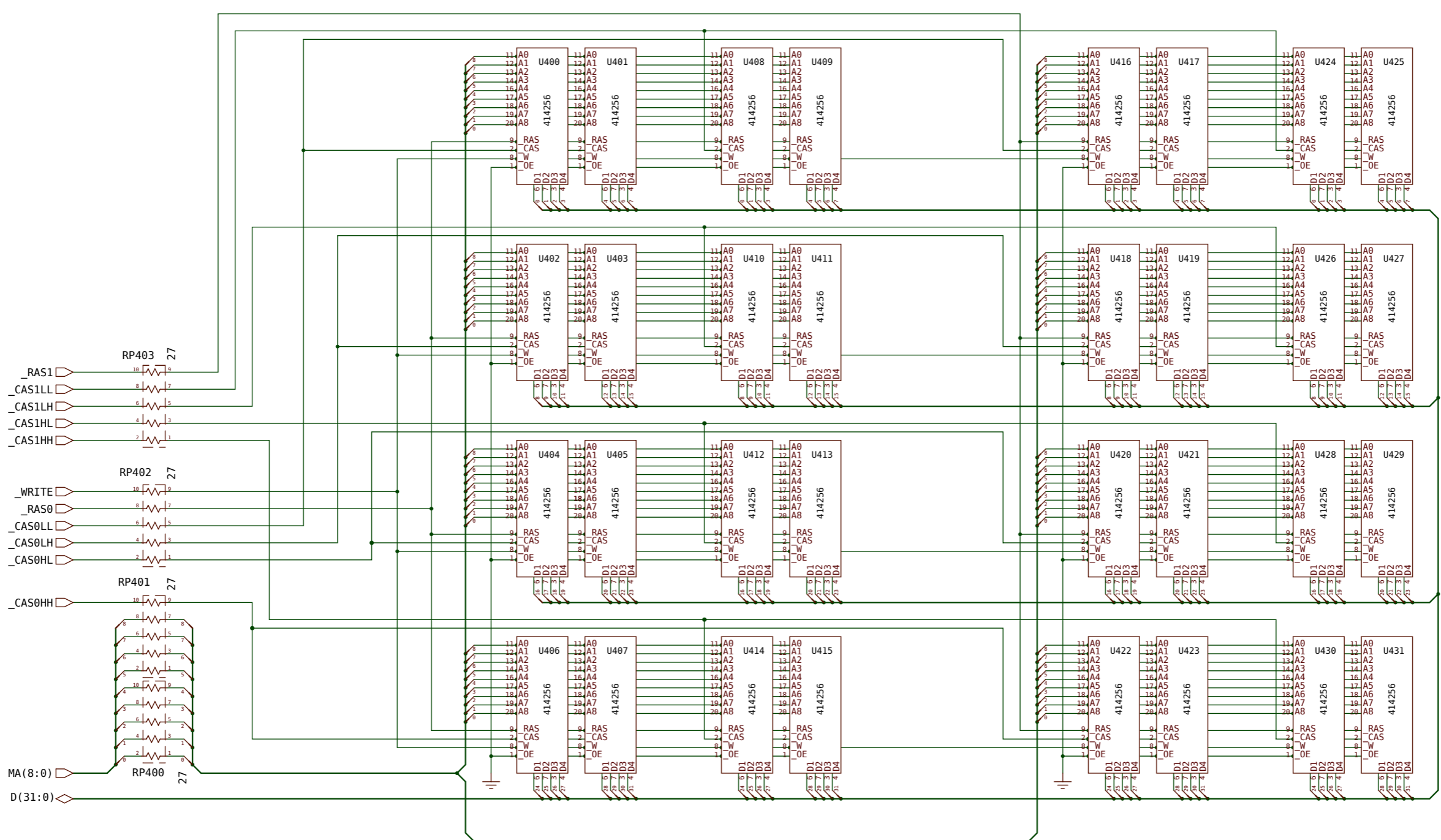
REV. 1.38 (09.09.2012)

© rebuild for www.amigawiki.org · for private use only

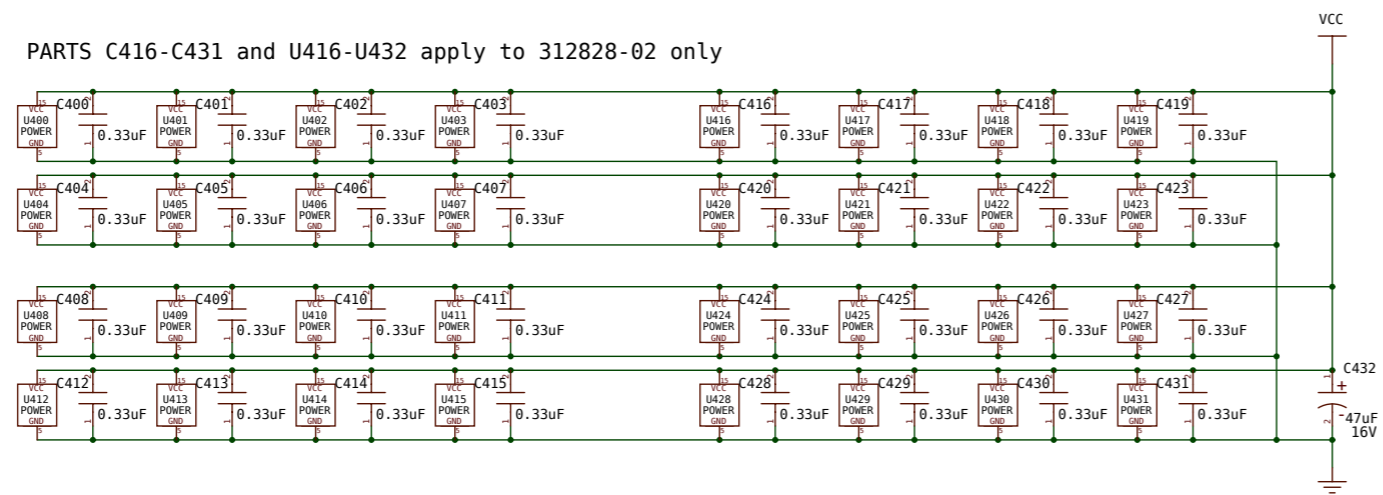
© 1988 COMMODORE BUSINESS MACHINES
 Information contained herein is the unpublished,
 confidential and trade secret property of
 Commodore Business Machines, Inc. Any use,
 reproduction or disclosure of this information
 without the prior written permission of
 Commodore is strictly prohibited.
 C.A.D. Generated
 No manual changes may be made to this document

	DRAWN BY: RVW/DBH CHKD: RVW/DBH ENGR: RVW/DBH APPR:	DATE: 6/8/88 6/8/88	Commodore SCHEMATIC A2620
	USED ON: A2620 NEXT ASSY: 312828	SIZE: C SCALE: NONE	

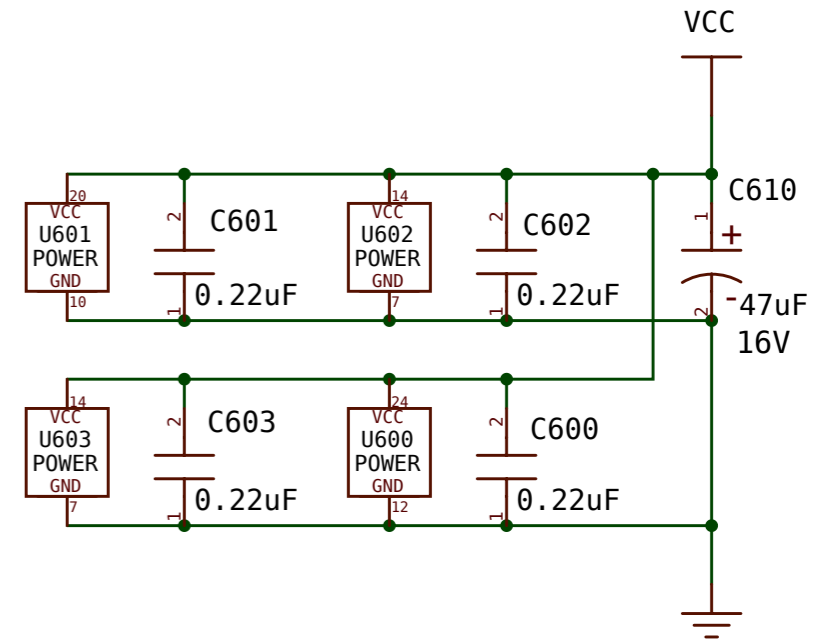
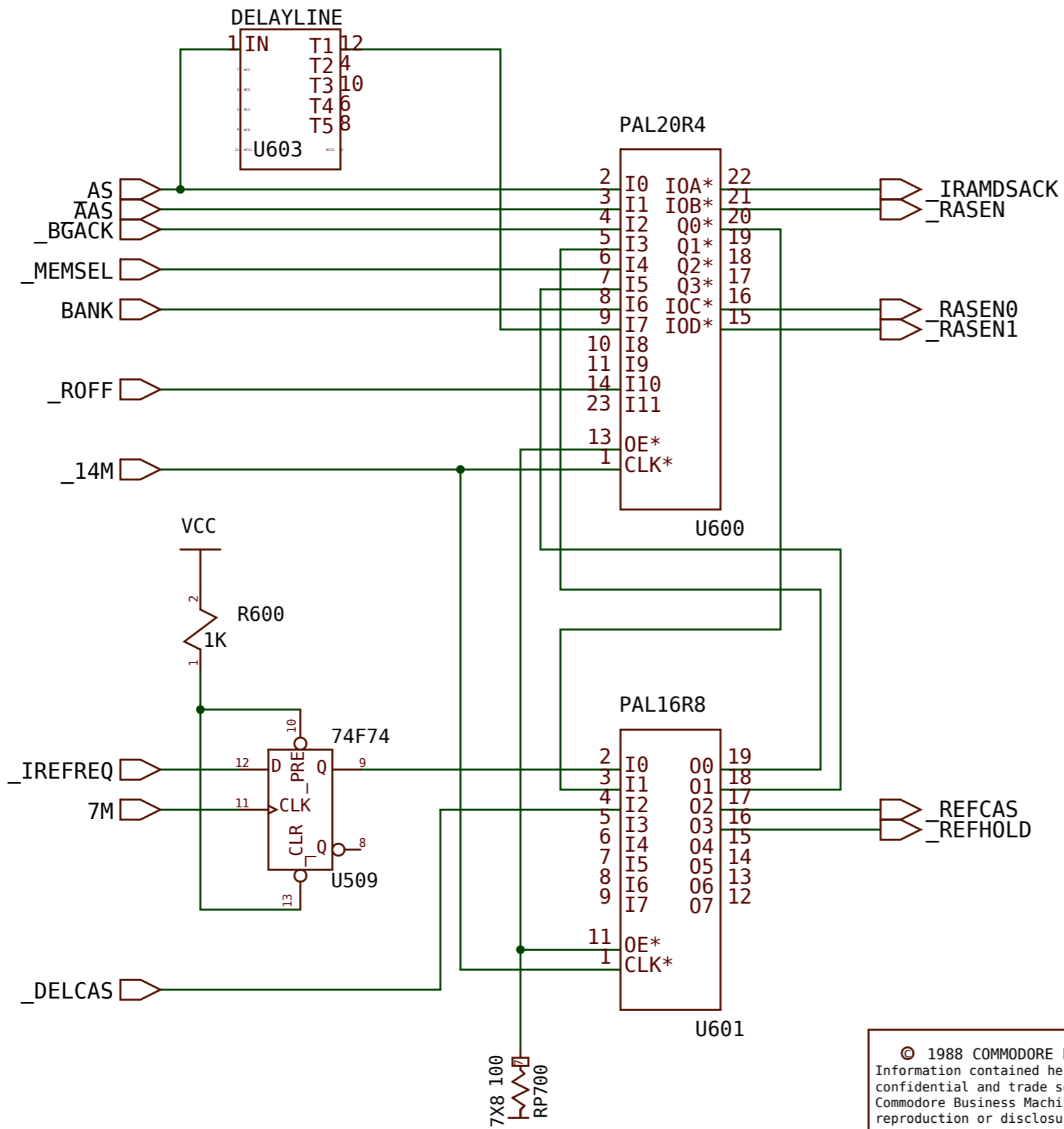
PATH: -havy\ie\amiga\2620_sheet3

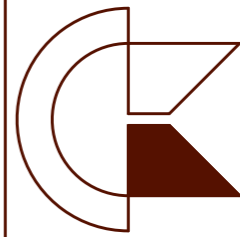


PARTS C416-C431 and U416-U432 apply to 312828-02 only



© 1988 COMMODORE BUSINESS MACHINES Information contained herein is the unpublished, confidential and trade secret property of Commodore Business Machines, Inc. Any use, reproduction or disclosure of this information without the prior written permission of Commodore is strictly prohibited.		DRAWN BY: DATE RWV/DBH 6/6/88		Commodore	
ENGR: RWV/DBH 6/6/88		APP: []		SCHEMATIC	
USED ON: A2620		NEXT ASSY: 312828		SIZE: C	
C		312829		REV: B	
SCALE: NONE		SHEET: 4		OF 7	
C.A.D. Generated No manual changes may be made to this document					



© 1988 COMMODORE BUSINESS MACHINES Information contained herein is the unpublished, confidential and trade secret property of Commodore Business Machines, Inc. Any use, reproduction or disclosure of this information without the prior written permission of Commodore is strictly prohibited.			DRAWN BY: RVW/DBH	DATE: 6/6/88	Commodore SCHEMATIC A2620				
C.A.D. Generated No manual changes may be made to this document			CHKD: ENGR: RVW/DBH	APPR:		USED ON: A2620	NEXT ASSY: 312828	SIZE: C	312829
				SCALE NONE SHEET 6 OF 7		PATH: ~haynie/amiga/a2620 sheet6			

Rev. 1.38 (89.09.2012)

