

Amiga

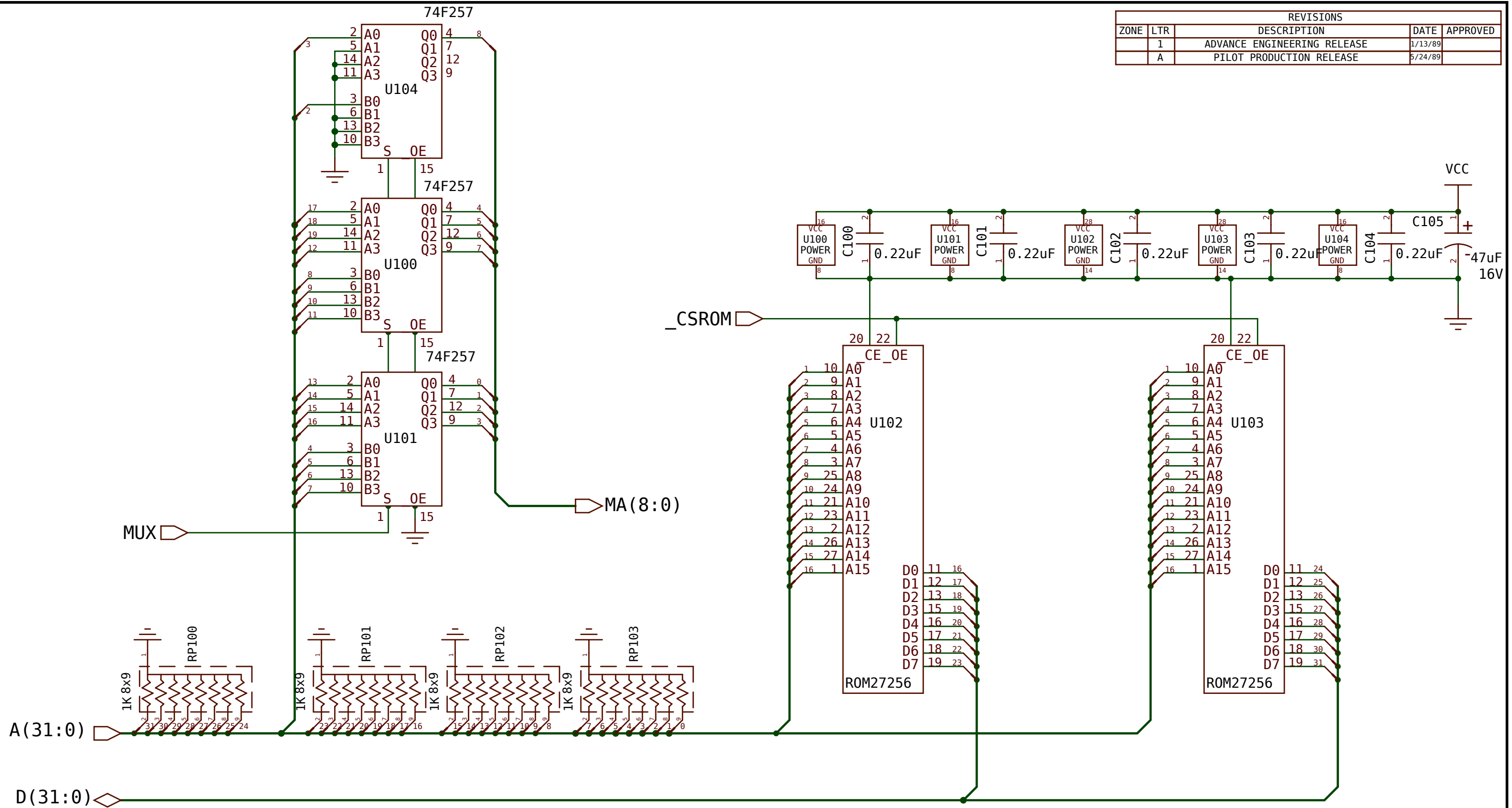
A2630_R9

Rev.1.38 (09.09.2012)



www.amigawiki.org

| REVISIONS | | | | |
|-----------|-----|-----------------------------|---------|----------|
| ZONE | LTR | DESCRIPTION | DATE | APPROVED |
| | 1 | ADVANCE ENGINEERING RELEASE | 1/13/89 | |
| | A | PILOT PRODUCTION RELEASE | 5/24/89 | |

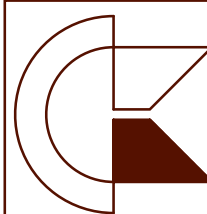


A2630 Rev 9 8/2/89
"The Edge"

© 1989 COMMODORE BUSINESS MACHINES
Information contained herein is the unpublished, confidential and trade secret property of Commodore Business Machines, Inc. Any use, reproduction or disclosure of this information without the prior written permission of Commodore is strictly prohibited.

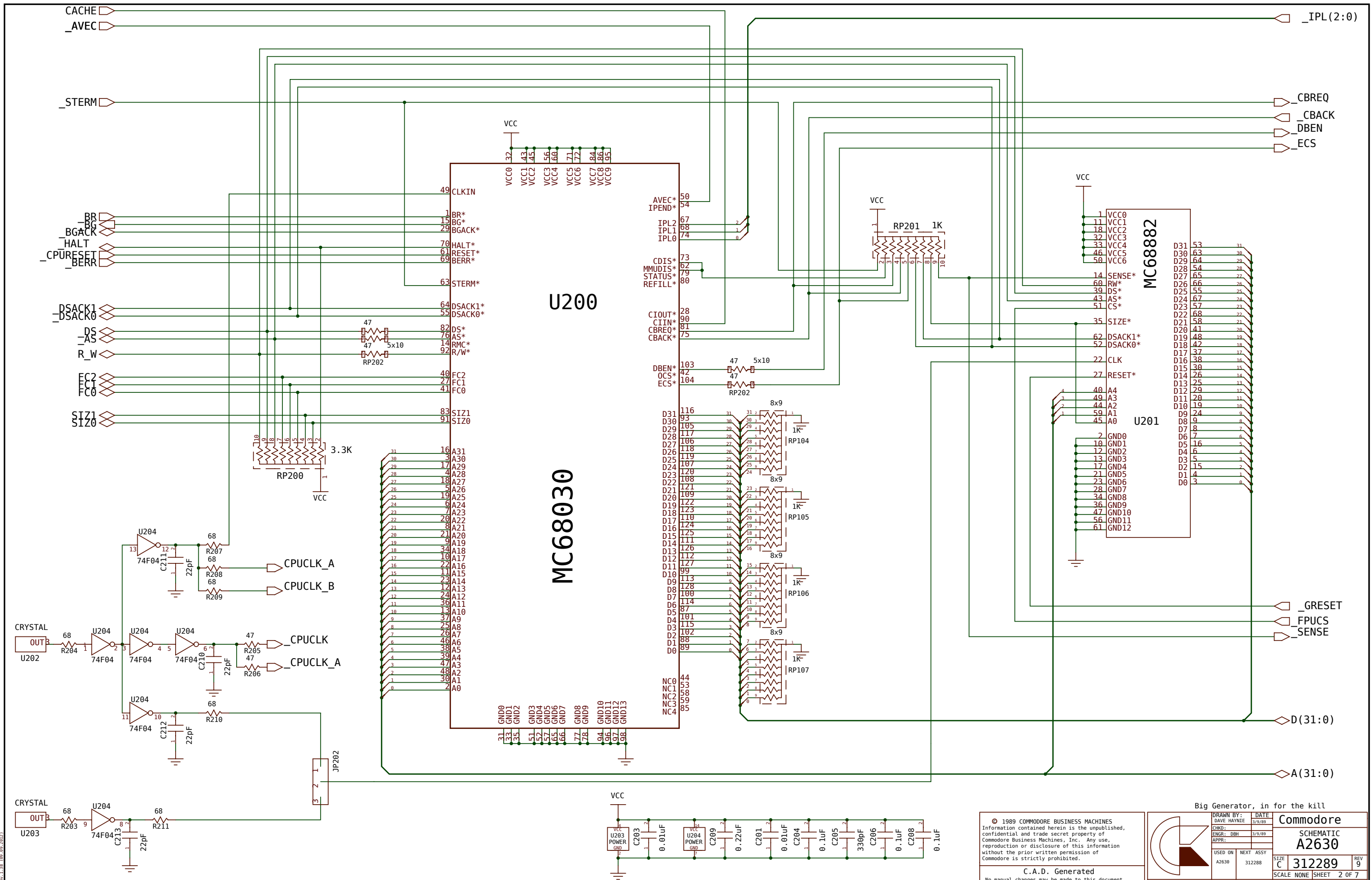
C.A.D. Generated
No manual changes may be made to this document

Got the fever, oh I got the fever

| | | | | |
|---|-----------------------|--------------|---|--------|
|  | DRAWN BY: DAVE HAYNIE | DATE: 3/9/89 | Commodore SCHEMATIC A2630 | |
| | CHKD: ENGR: DBH | 3/9/89 | | |
| | APPR: | | | |
| USED ON: A2630 | NEXT ASSY: 312288 | SIZE: C | 312289 | REV: 9 |
| SCALE: NONE | | | SHEET: 1 OF 7 | |

PATH: -haynie/amiga/a2630 sheet1

Rev. 1.38 (09.09.2012)



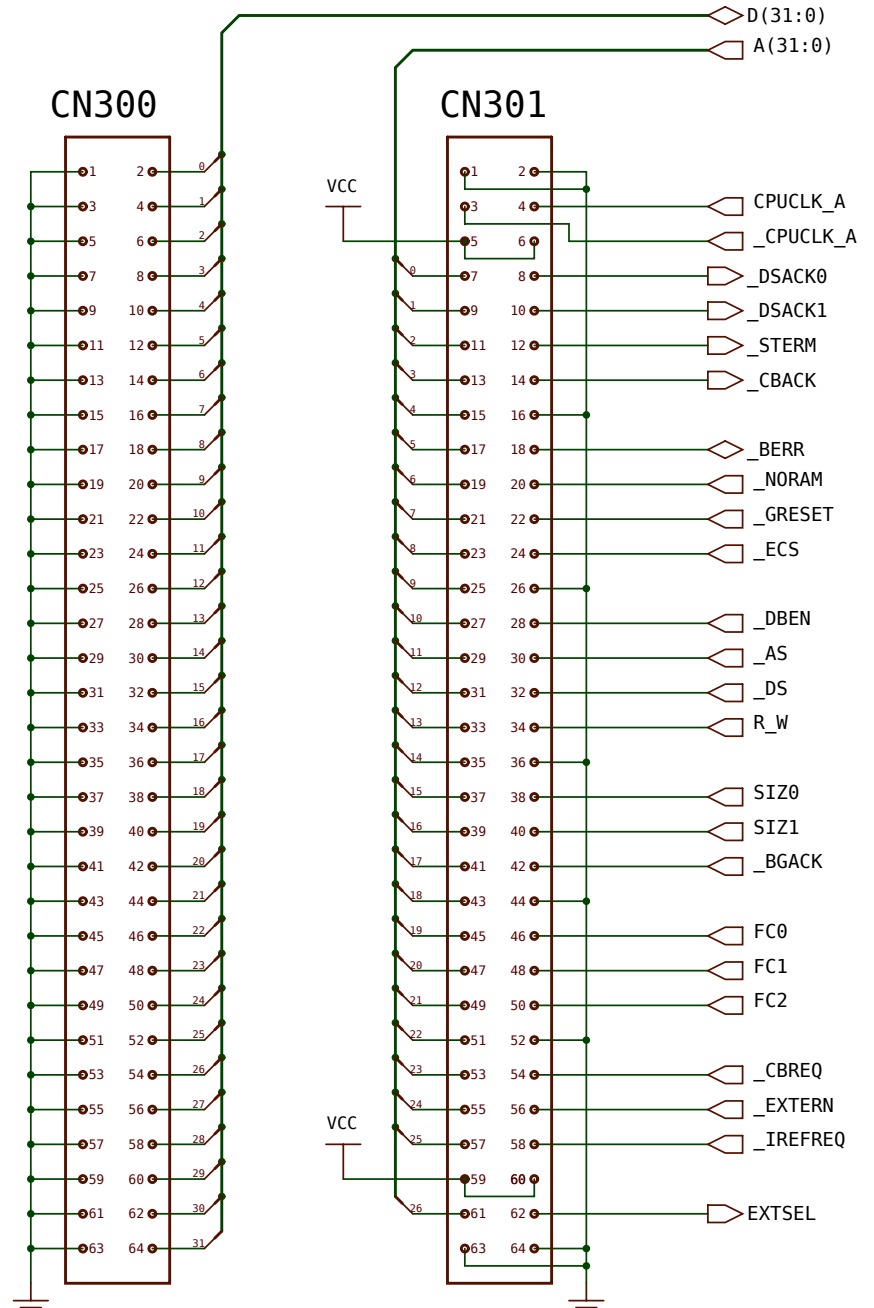
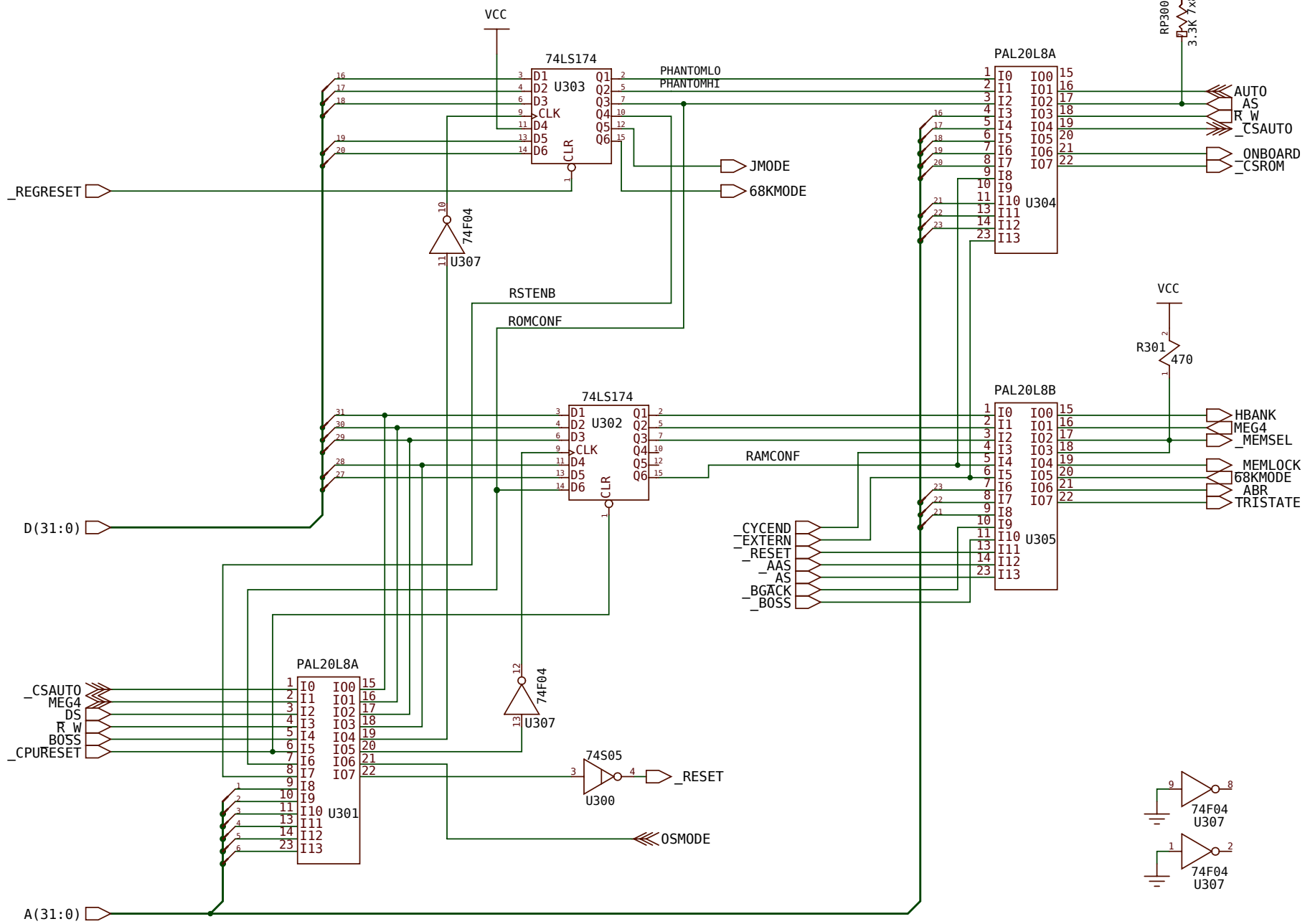
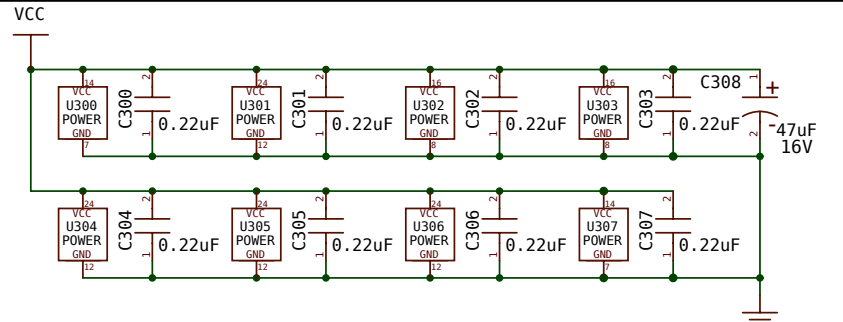
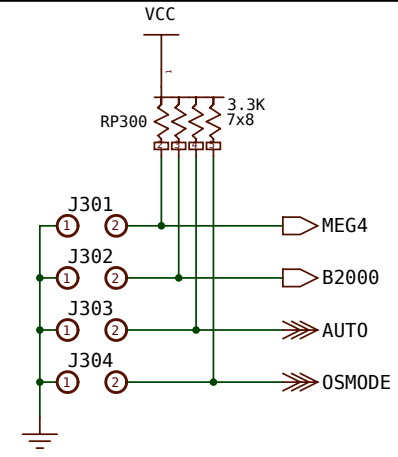
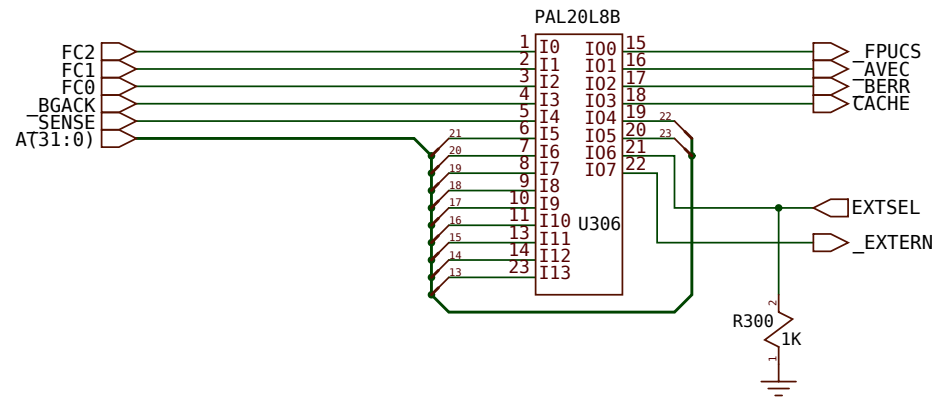
Big Generator, in for the kill

© 1989 COMMODORE BUSINESS MACHINES
 Information contained herein is the unpublished, confidential and trade secret property of Commodore Business Machines, Inc. Any use, reproduction or disclosure of this information without the prior written permission of Commodore is strictly prohibited.

C.A.D. Generated
 No manual changes may be made to this document

| | | | | |
|-----------------------|-------------------|---------|-------------|---------------|
| DRAWN BY: DAVE HAYNIE | DATE: 3/9/89 | | Commodore | |
| ENGR: DBH | 3/9/89 | | SCHEMATIC | |
| APPR: | | | A2630 | |
| USED ON: A2630 | NEXT ASSY: 312288 | SIZE: C | 312289 | REV: 9 |
| | | | SCALE: NONE | SHEET: 2 OF 7 |

PATH: --haynie/amiga/a2630 sheet2

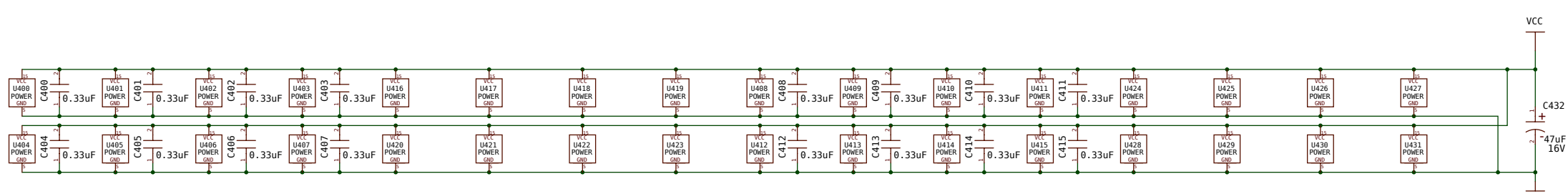
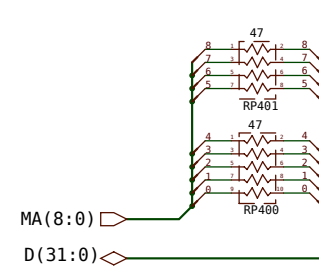
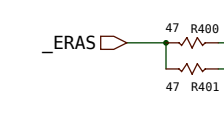
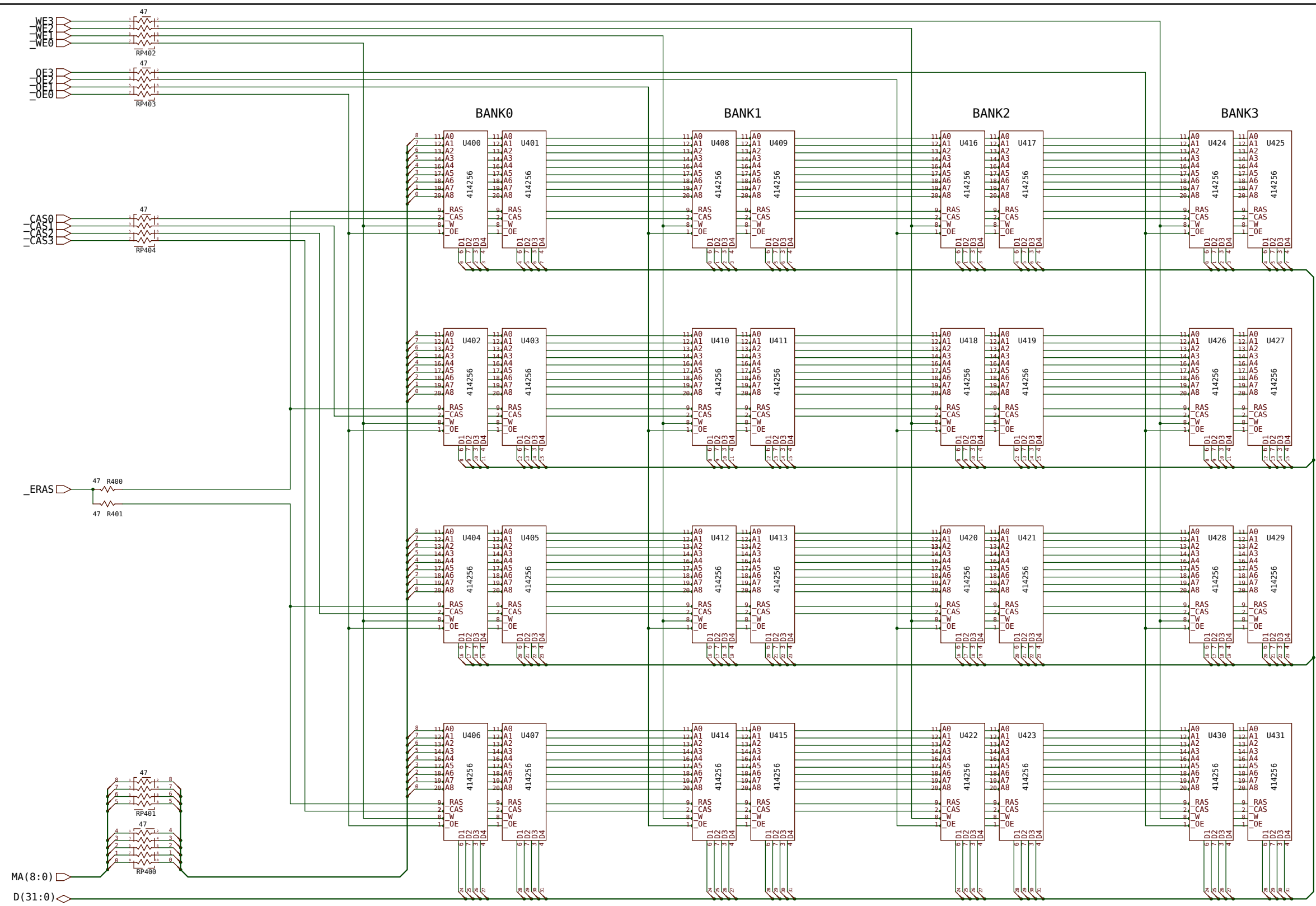


I can't relax, 'cause I'm a Boinger!

© 1989 COMMODORE BUSINESS MACHINES
 Information contained herein is the unpublished, confidential and trade secret property of Commodore Business Machines, Inc. Any use, reproduction or disclosure of this information without the prior written permission of Commodore is strictly prohibited.
 C.A.D. Generated
 No manual changes may be made to this document

| | | | | |
|--|---|------------------------|---|-------------------------|
| | DRAWN BY: DAVE HAYNIE ENGR: DBH APPR: | DATE: 3/9/89 3/9/89 | Commodore SCHEMATIC A2630 | |
| | USED ON: A2630 NEXT ASSY: 312288 | SIZE: C SCALE: NONE | | REV: 9 SHEET: 3 OF 7 |
| | PATH: -haynie/amiga/a2630.sheet3 | | | |

REV. 1.38 (09/09/2012)



So we sailed into the Sun, till we found the Sea of Green

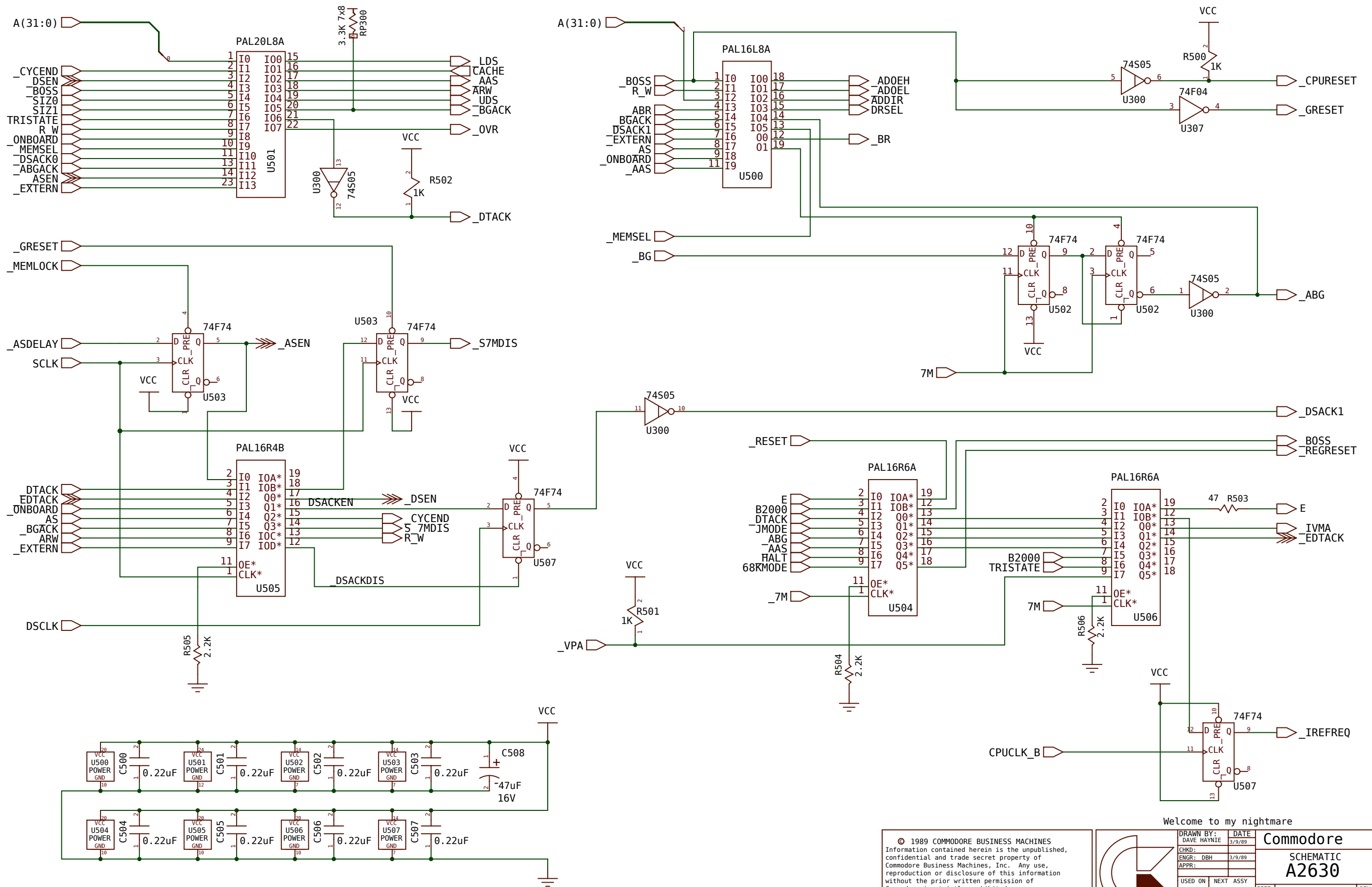
© 1989 COMMODORE BUSINESS MACHINES
Information contained herein is the unpublished, confidential and trade secret property of Commodore Business Machines, Inc. Any use, reproduction or disclosure of this information without the prior written permission of Commodore is strictly prohibited.

C.A.D. Generated
No manual changes may be made to this document

| | | |
|-------------------------|-------------------|---------------------------------|
| DRAWN BY: SHAVE, HAYNIE | DATE: 1/2/89 | Commodore SCHEMATIC A2630 |
| ENGR: DBH | 1/2/89 | |
| USED ON: A2630 | NEXT ASSY: 312288 | SIZE: C |
| SCALE: NONE | | SHEET: 4 OF 7 |

PATH: -haynie/amiga/a2630_she4

Rev. 1.00 (09/08/2011)



Rev. 1.38 (09-09-2012)

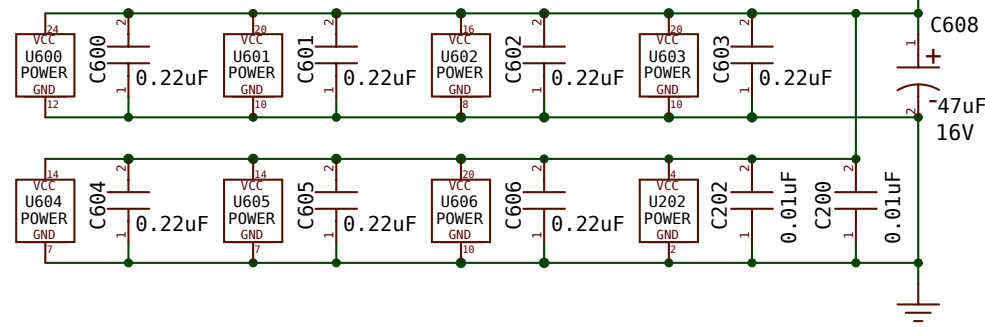
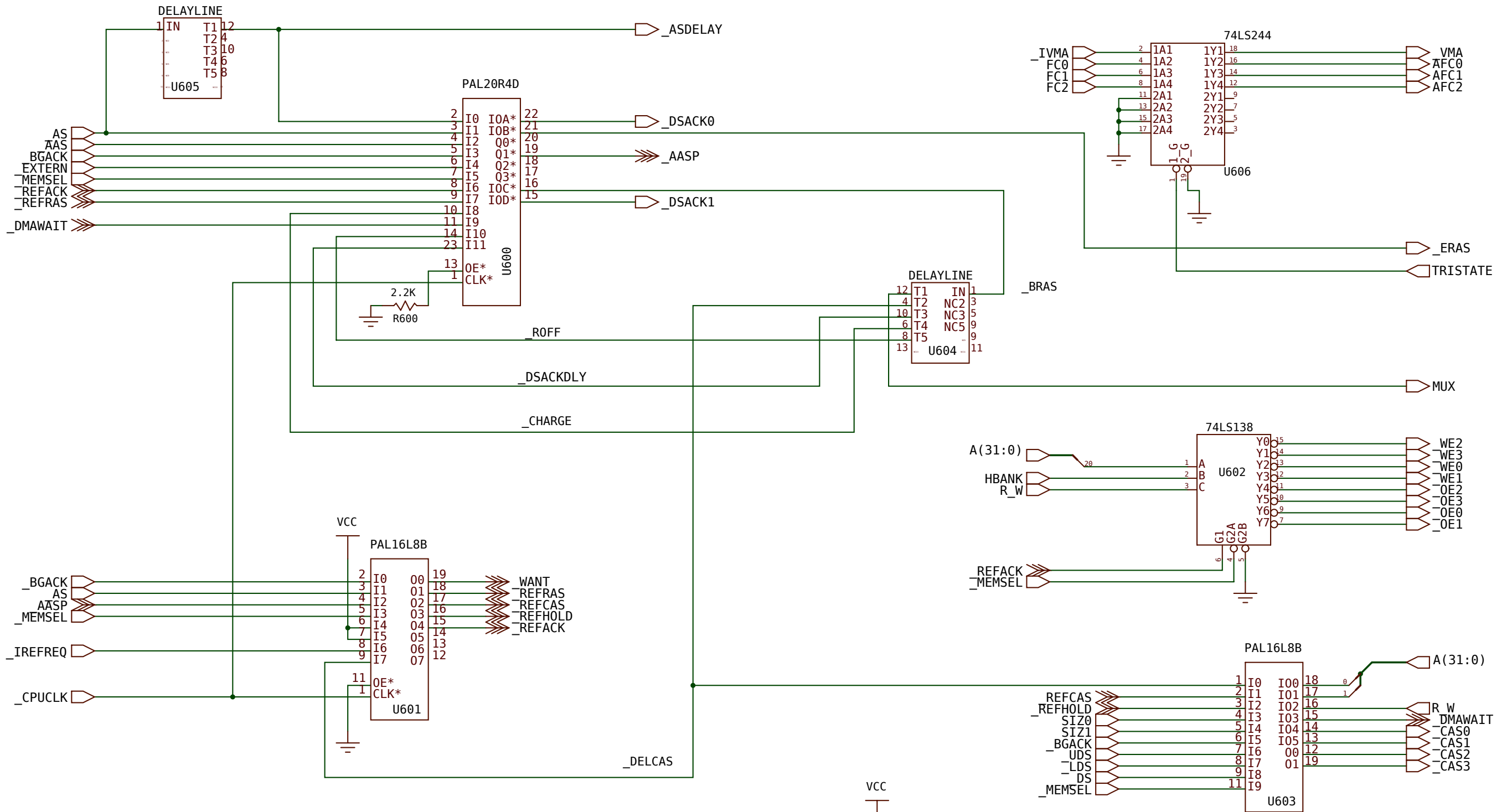
© rebuild for www.amigawiki.org · for private use only

© 1989 COMMODORE BUSINESS MACHINES
 Information contained herein is the unpublished, confidential and trade secret property of Commodore Business Machines, Inc. Any use, reproduction or disclosure of this information without the prior written permission of Commodore is strictly prohibited.
 C.A.D. Generated
 No manual changes may be made to this document

Welcome to my nightmare

| | | |
|--------------------------|---------------------|-------------------------|
| DRAWN BY: DAVE HAYNIE | DATE 3/9/89 | Commodore |
| CHKD: | | |
| ENGR: DBH | 3/9/89 | SCHEMATIC |
| APPR: | | A2630 |
| USED ON A2630 | NEXT ASSY 312288 | SIZE C 312289 |
| | | REV 9 |
| | | SCALE NONE SHEET 5 OF 7 |

PATH: -haynie/amiga/a2630 sheet5



© 1989 COMMODORE BUSINESS MACHINES
 Information contained herein is the unpublished, confidential and trade secret property of Commodore Business Machines, Inc. Any use, reproduction or disclosure of this information without the prior written permission of Commodore is strictly prohibited.

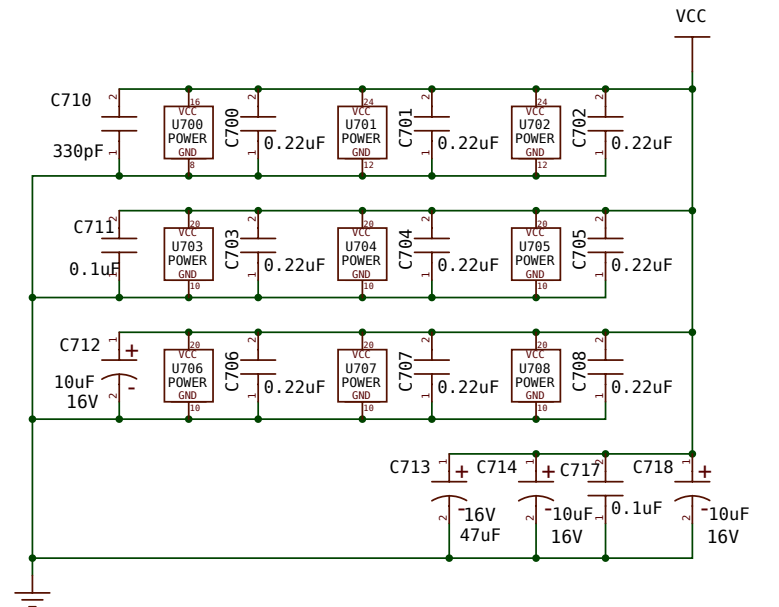
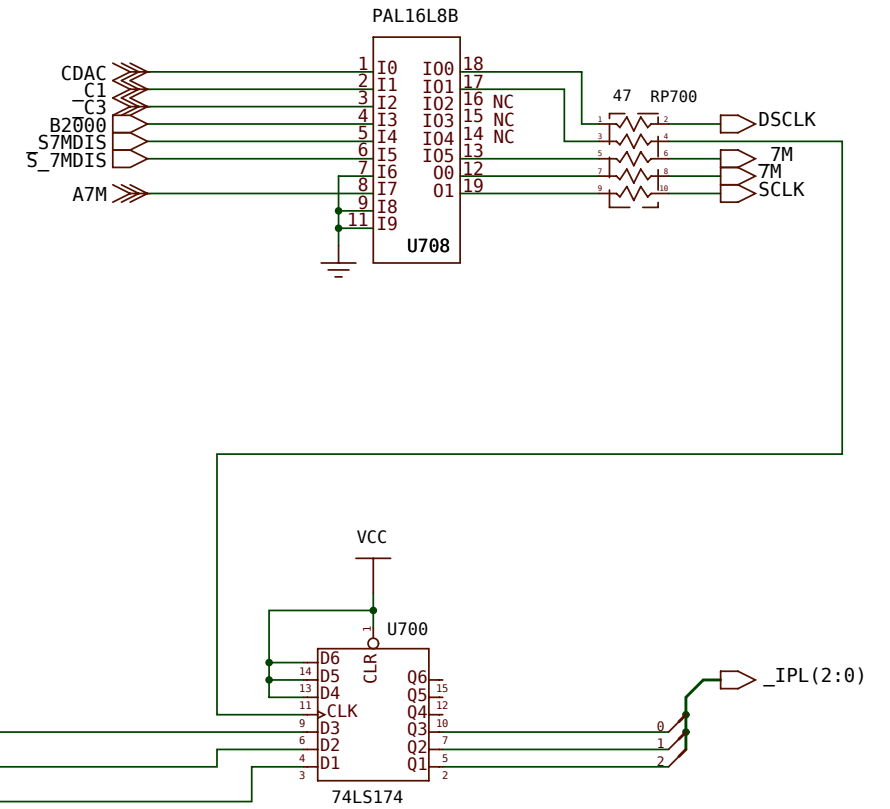
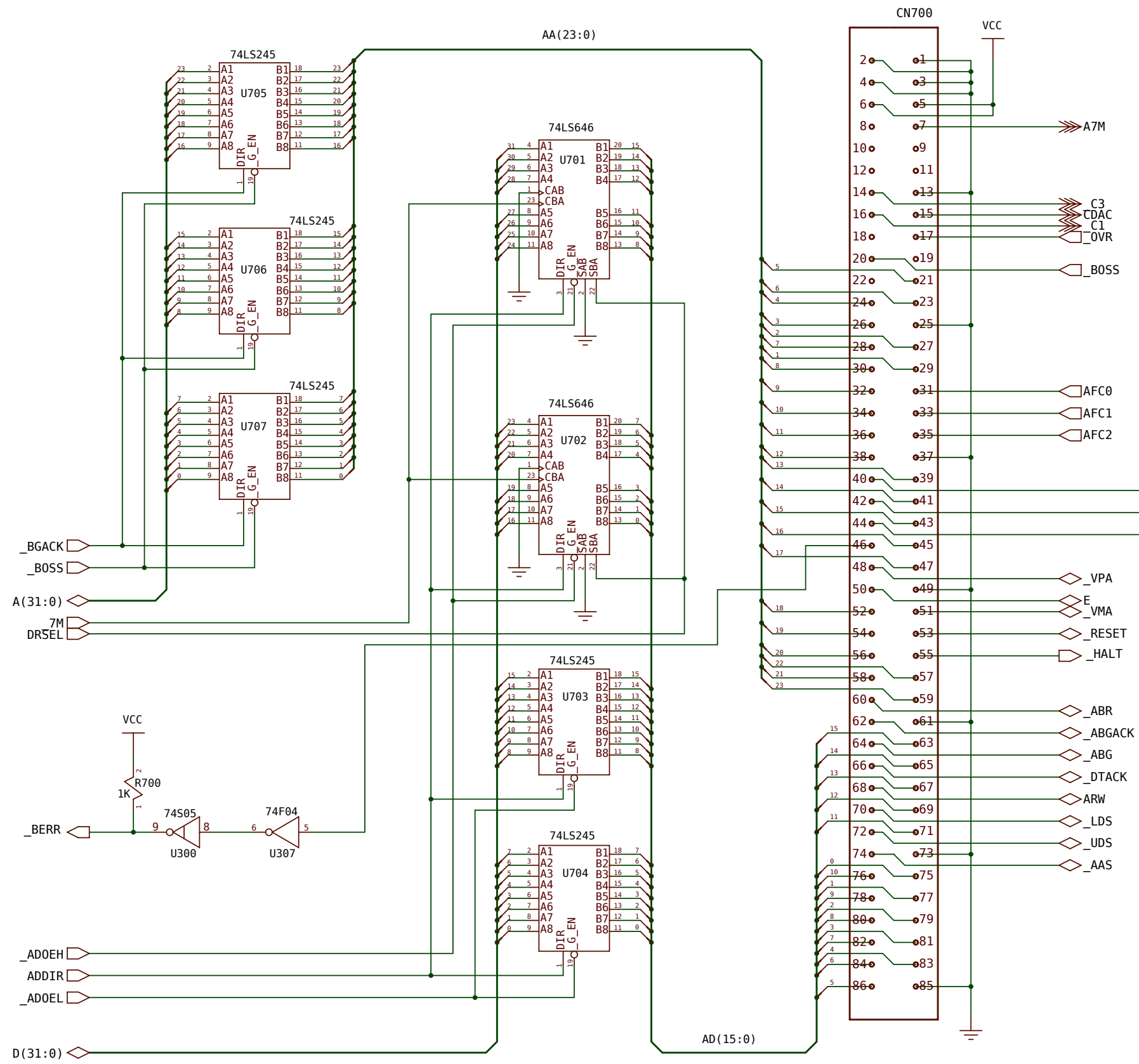
C.A.D. Generated
 No manual changes may be made to this document

I don't need to fight, to prove I'm right

| | | | |
|--|---|------------------------|---|
| | DRAWN BY: DAVE HAYNIE ENGR: DBH APPR: | DATE: 3/9/89 3/9/89 | Commodore SCHEMATIC A2630 SIZE C 312289 REV 9 SCALE NONE SHEET 6 OF 7 |
| | USED ON: A2630 NEXT ASSY: 312288 | | |
| | | | |

PATH: -haynie/amiga/a2630 sheet6

Rev. 1.38 (89-09-2612)



Rev. 1.38 (09/09/2012)

© 1989 COMMODORE BUSINESS MACHINES
Information contained herein is the unpublished,
confidential and trade secret property of
Commodore Business Machines, Inc. Any use,
reproduction or disclosure of this information
without the prior written permission of
Commodore is strictly prohibited.
C.A.D. Generated
No manual changes may be made to this document

And I still haven't found what I'm looking for

| | | |
|--------------------------|---------------------|-------------------------|
| DRAWN BY: DAVE HAYNIE | DATE: 3/9/89 | Commodore |
| CHKD: ENGR: DBH | 3/9/89 | |
| APPD: | | SCHEMATIC |
| USED ON A2630 | NEXT ASSY 312288 | SIZE C |
| | | 312289 |
| | | REV 9 |
| | | SCALE NONE SHEET 7 OF 7 |

PATH: -haynie/amiga/a2630.sheet7