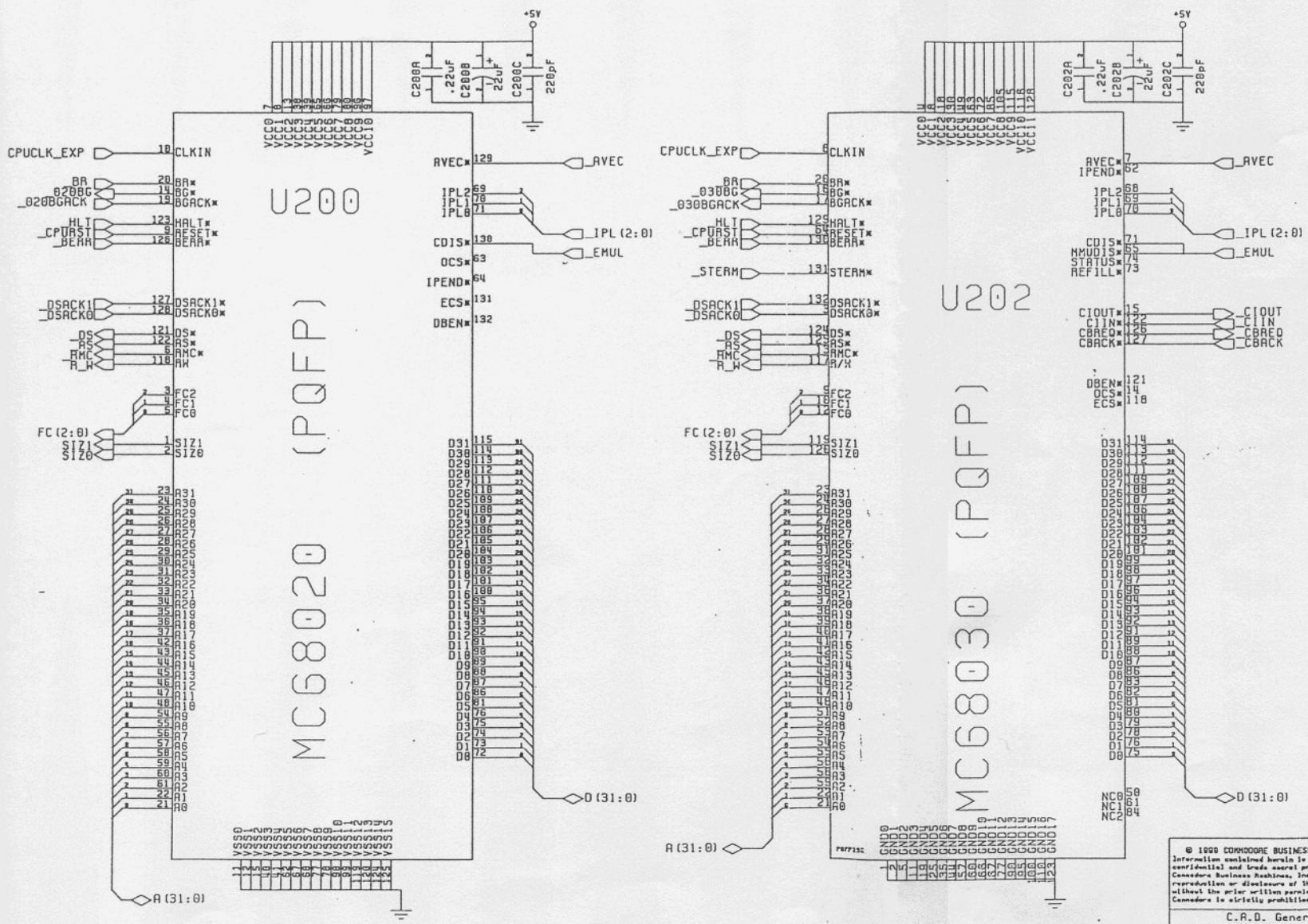
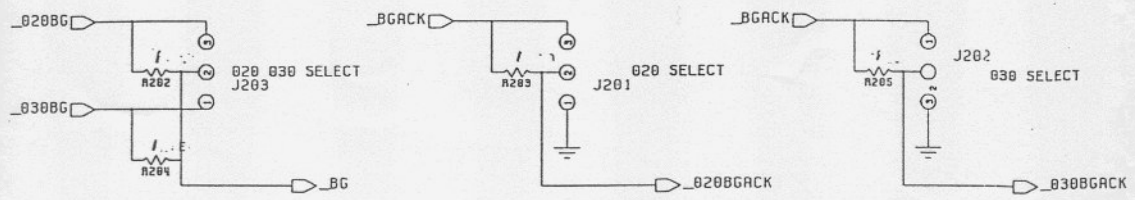


REVISIONS				
LTR	ZONE	DESCRIPTION	DATE	APPROVED
1		Advance Engineering Release	6-5-92	JCB
A		Pilot Production Release	8-13-92	JCB



© 1988 COMMODORE BUSINESS MACHINES
 Information contained herein is the unpublished,
 confidential and trade secret property of
 Commodore Business Machines, Inc. Any use,
 reproduction or disclosure of this information
 without the prior written permission of
 Commodore is strictly prohibited.

C.R.D. Generated
 No manual changes may be made to this document

CPU Card

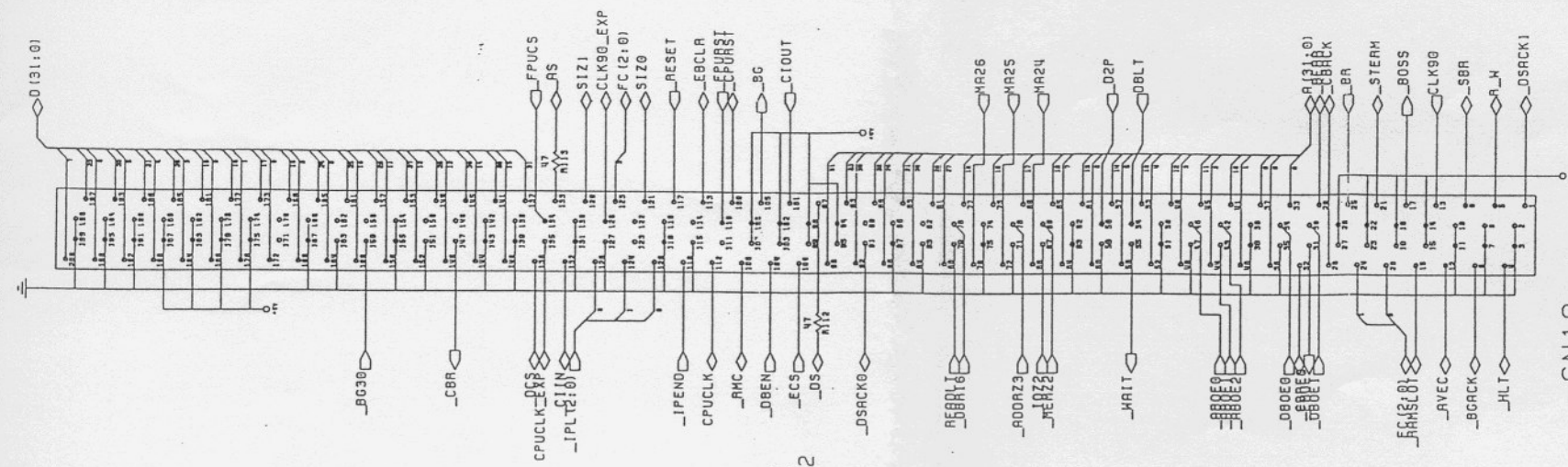
REV

Commodore
 68020/68030

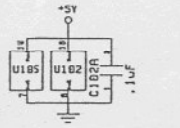
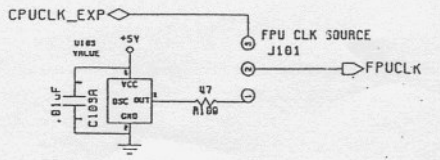
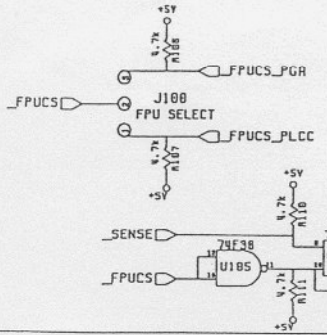
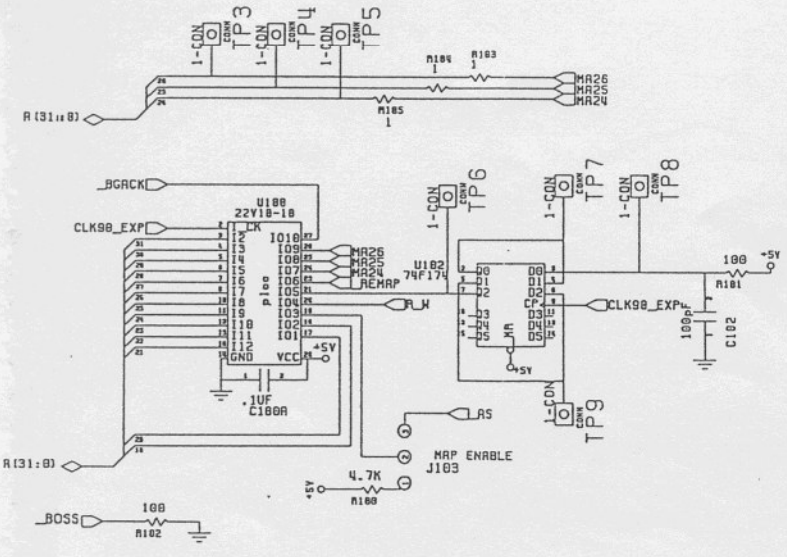
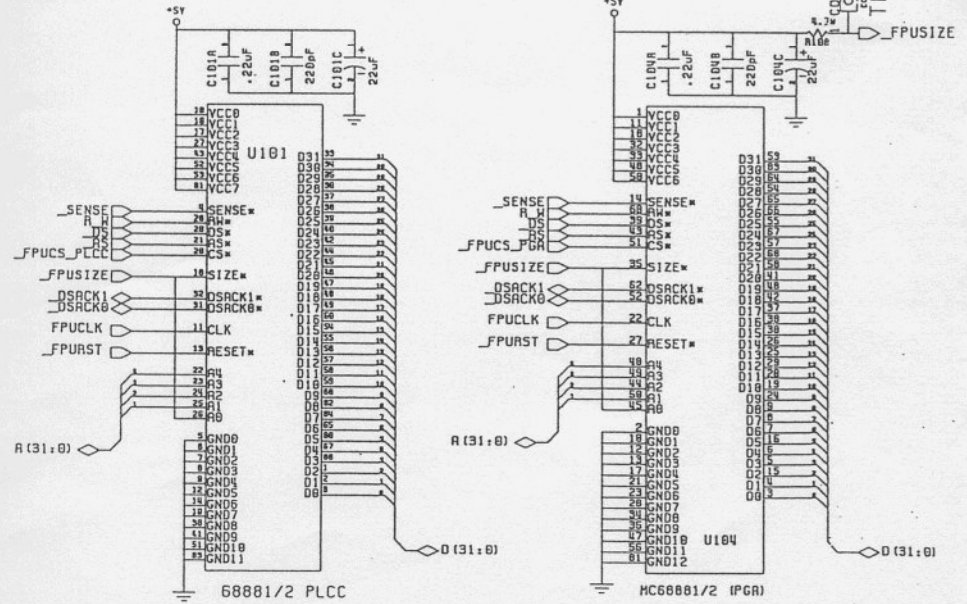
DRAWN BY: S/BZ
 CHECKED: S. SCHAEFFER
 APPROVED: [Signature]

USED ON NEXT ASST

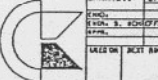
SIZE: 364835 A
 SCALE: SHEET 1 OF 2



CN10
Amigo 32 BIT LOCAL SLOT



© 1988 COMMODORE BUSINESS MACHINES
Information contained herein is the unpublished,
confidential and trade secret property of
Commodore Business Machines, Inc. Any use,
reproduction or disclosure of this information
without the prior written permission of
Commodore is strictly prohibited.
C.R.D. Generated
No manual changes may be made to this document.

	DATE	REV	Commodore 68020/68030 CPU Card 364035 REV 1 SCALE SHEET 2 OF 2
	DESIGNER	SCALE	