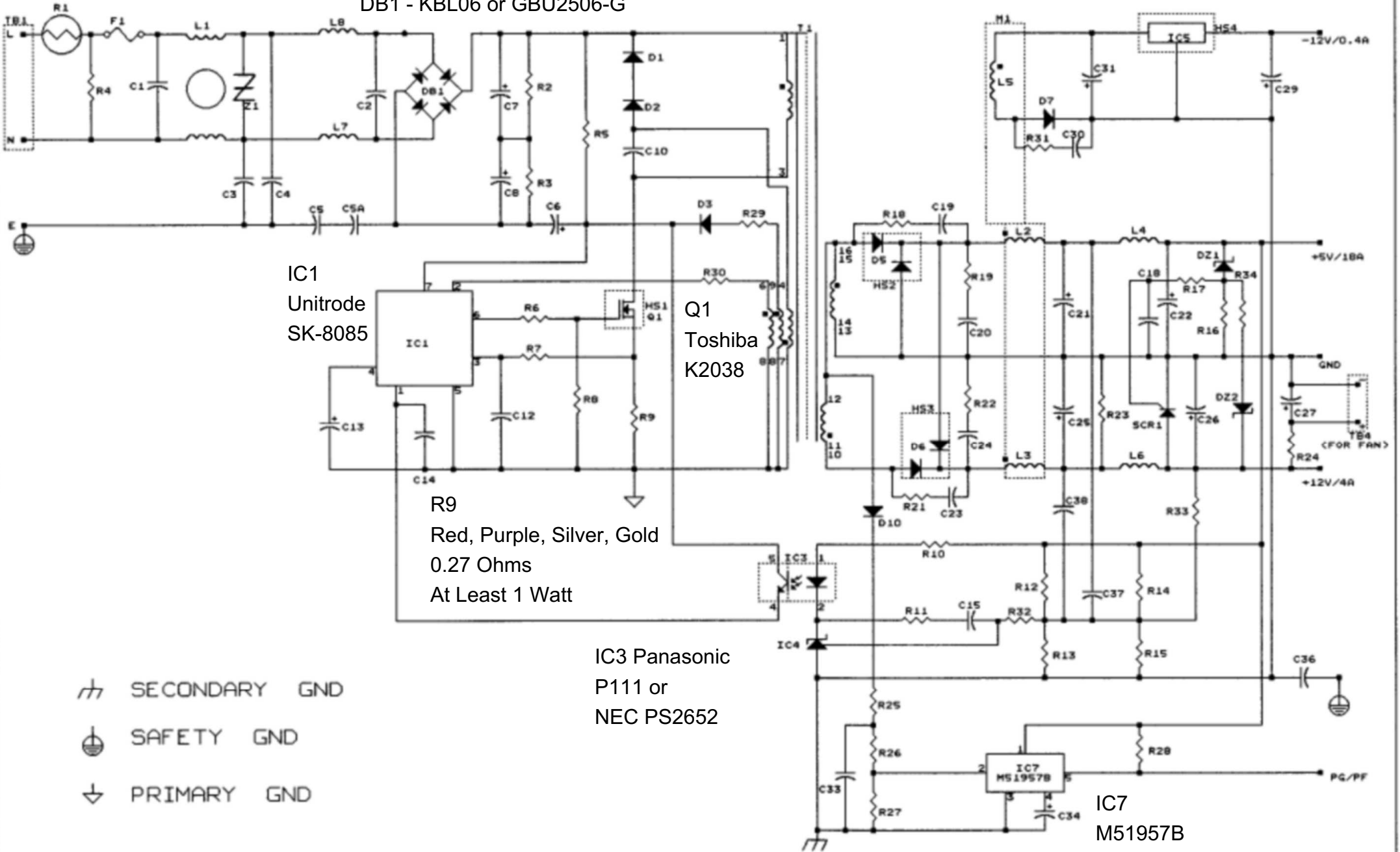


DB1 - KBL06 or GBU2506-G



IC1
Unitrode
SK-8085

Q1
Toshiba
K2038

R9
Red, Purple, Silver, Gold
0.27 Ohms
At Least 1 Watt

IC3 Panasonic
P111 or
NEC PS2652

IC7
M51957B

- SECONDARY GND
- SAFETY GND
- PRIMARY GND

CREATE :

CHECK : 蔡燦用 1/20/93

MODEL NO.

C O M - 9 1 5 C - 2

DRAW :

PUBLISH :

DRAWING NAME

SCHEMATIC DIAGRAM

