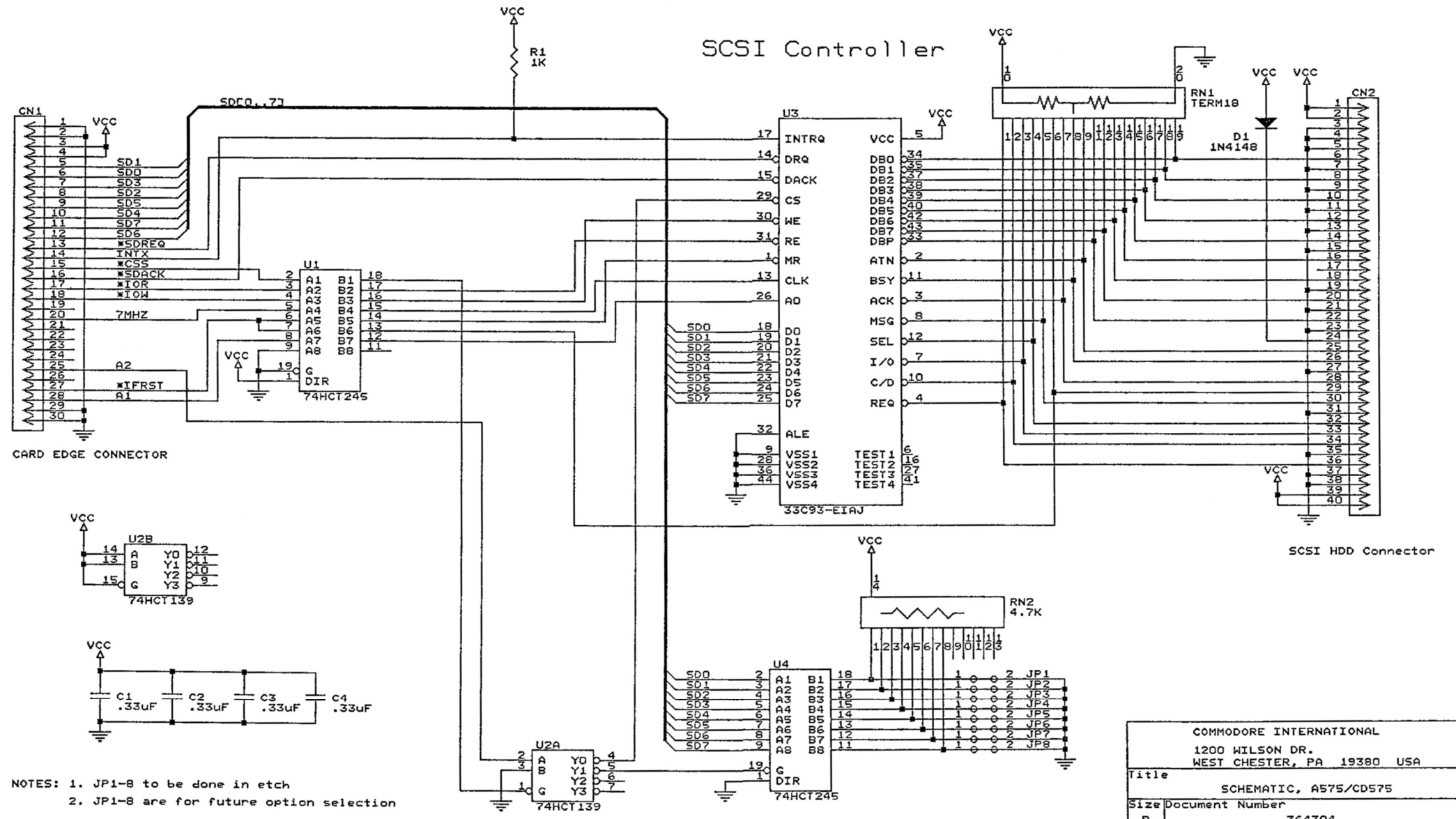


REVISIONS				DATE	APPROVED
ZONE	LTR	DESCRIPTION			
	1	ADVANCE ENGINEERING RELEASE		7/31/92	SSK



NOTES: 1. JP1-8 to be done in etch  
 2. JP1-8 are for future option selection

COMMODORE INTERNATIONAL 1200 WILSON DR. WEST CHESTER, PA 19380 USA		
Title SCHEMATIC, A575/CD575		
Size	Document Number	REV
B	364304	1
Date:	July 31, 1992	Sheet 1 of 1