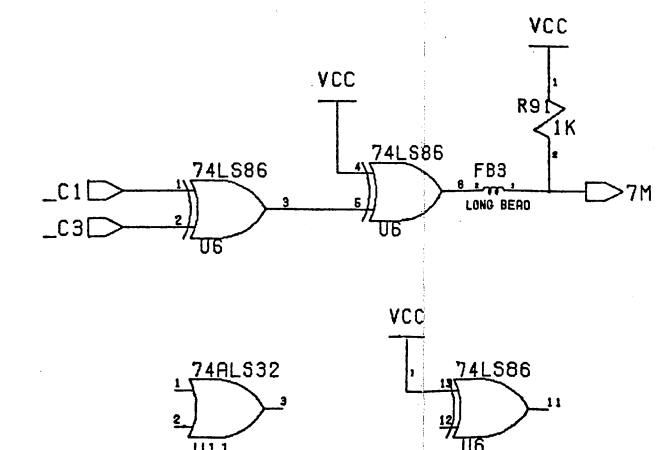
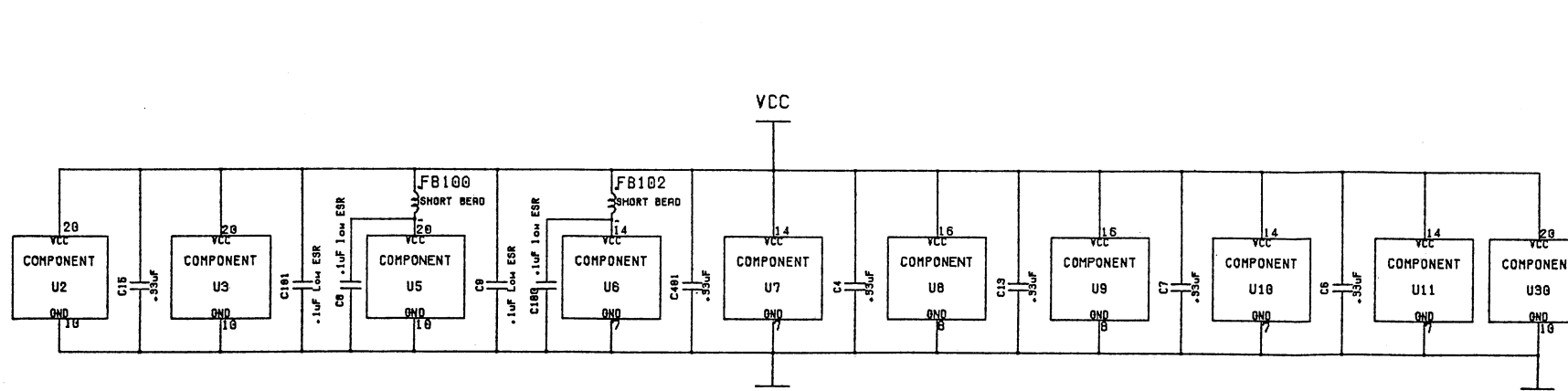
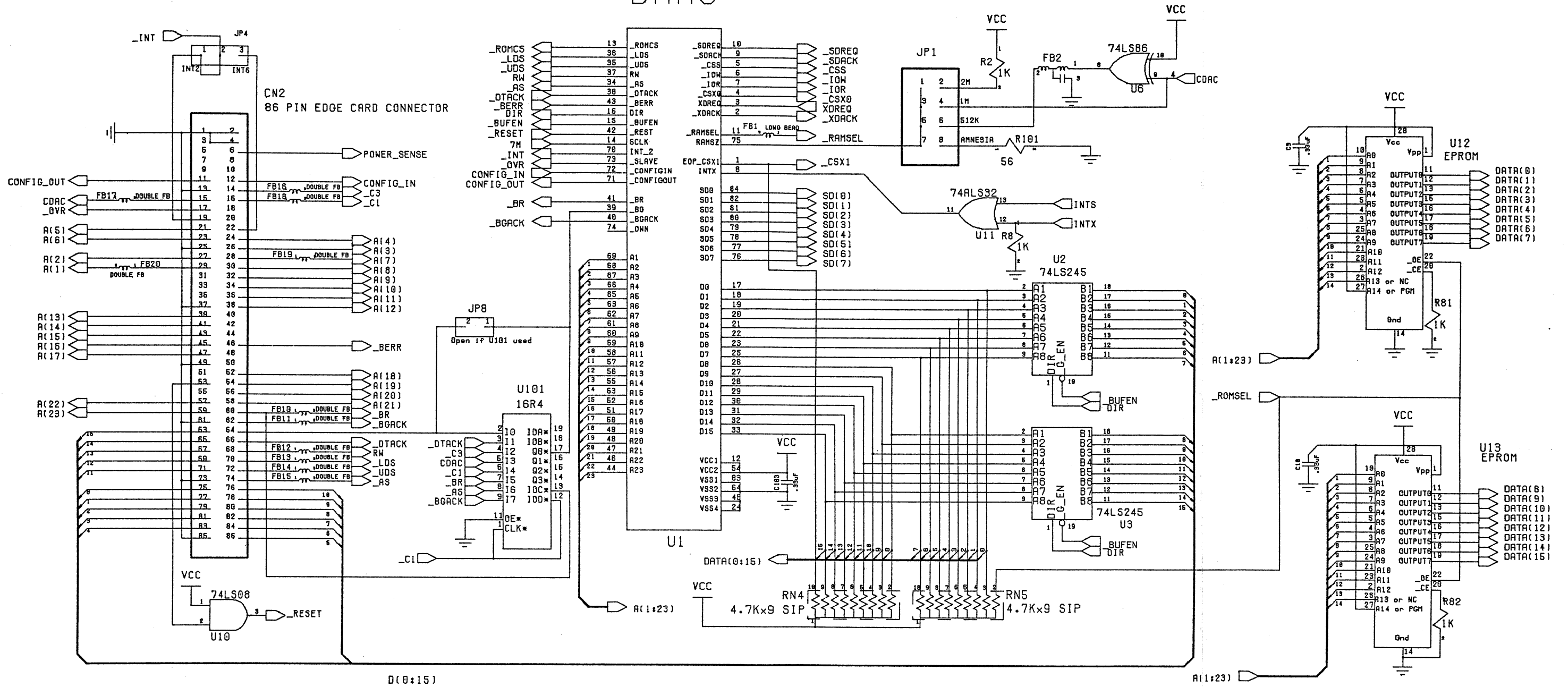
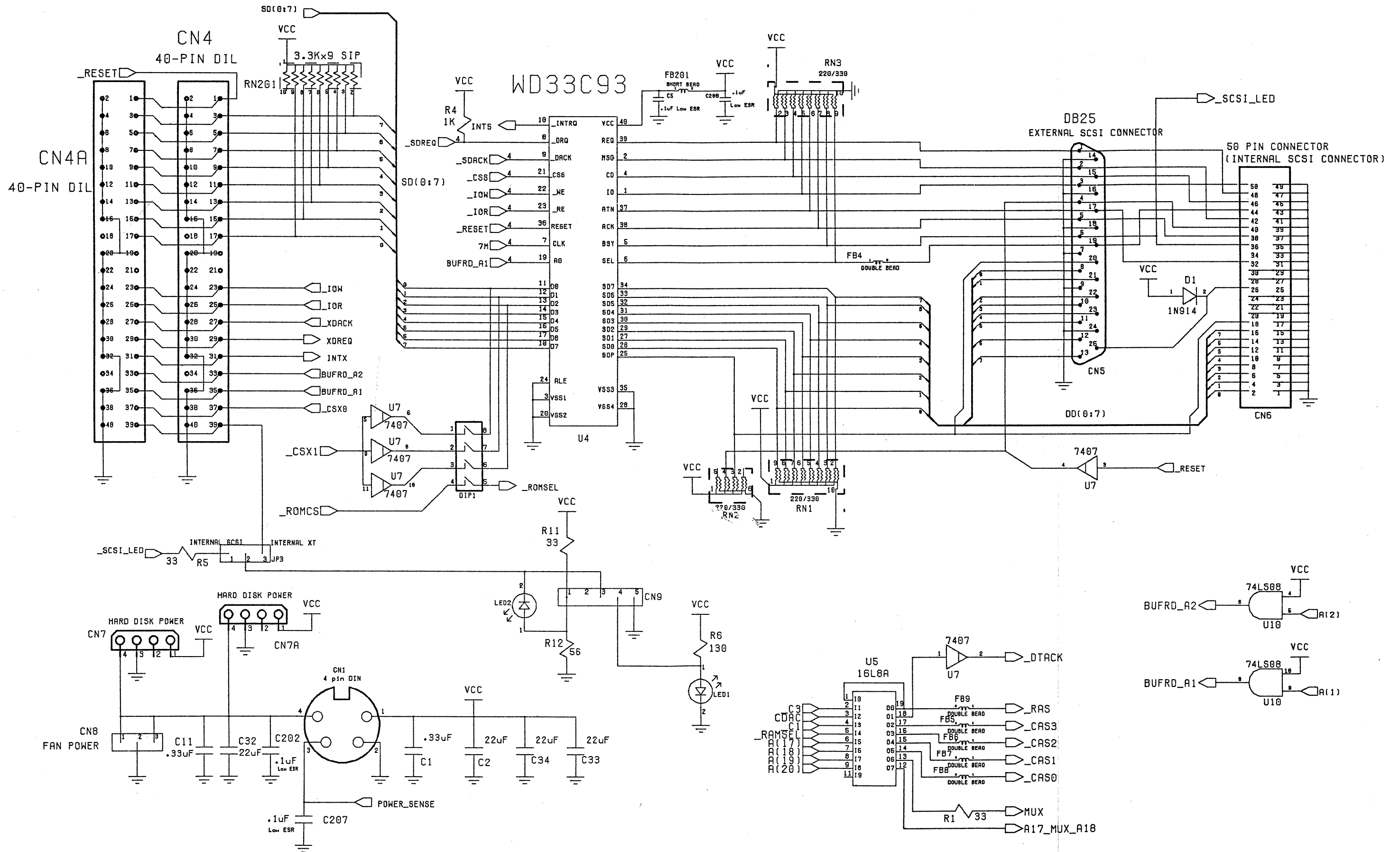
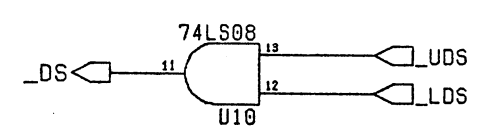
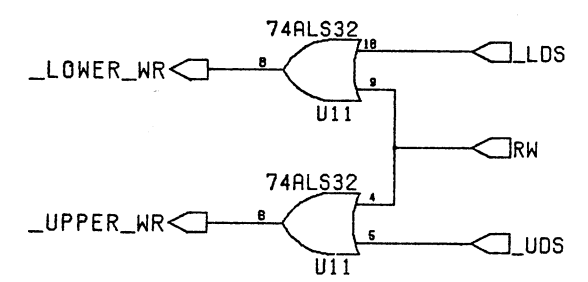
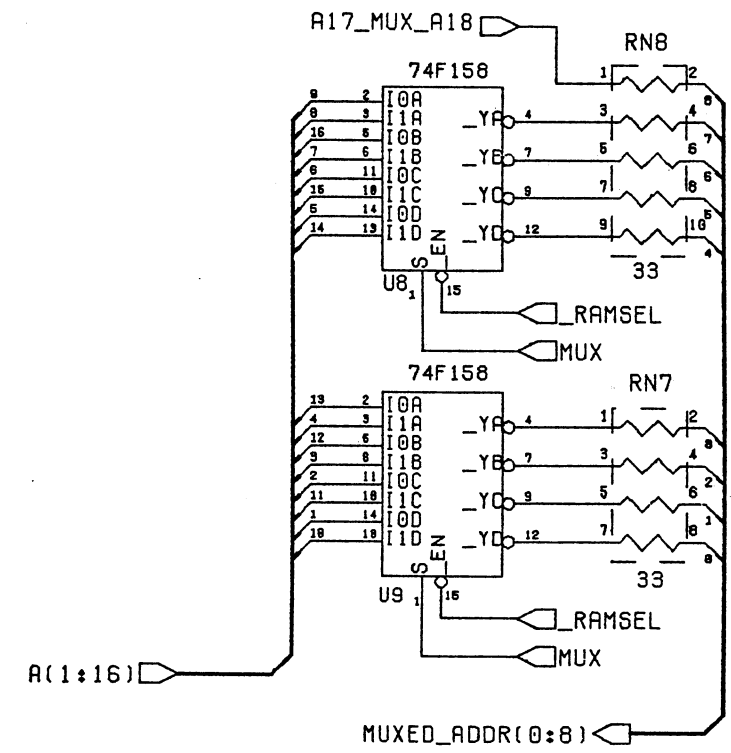
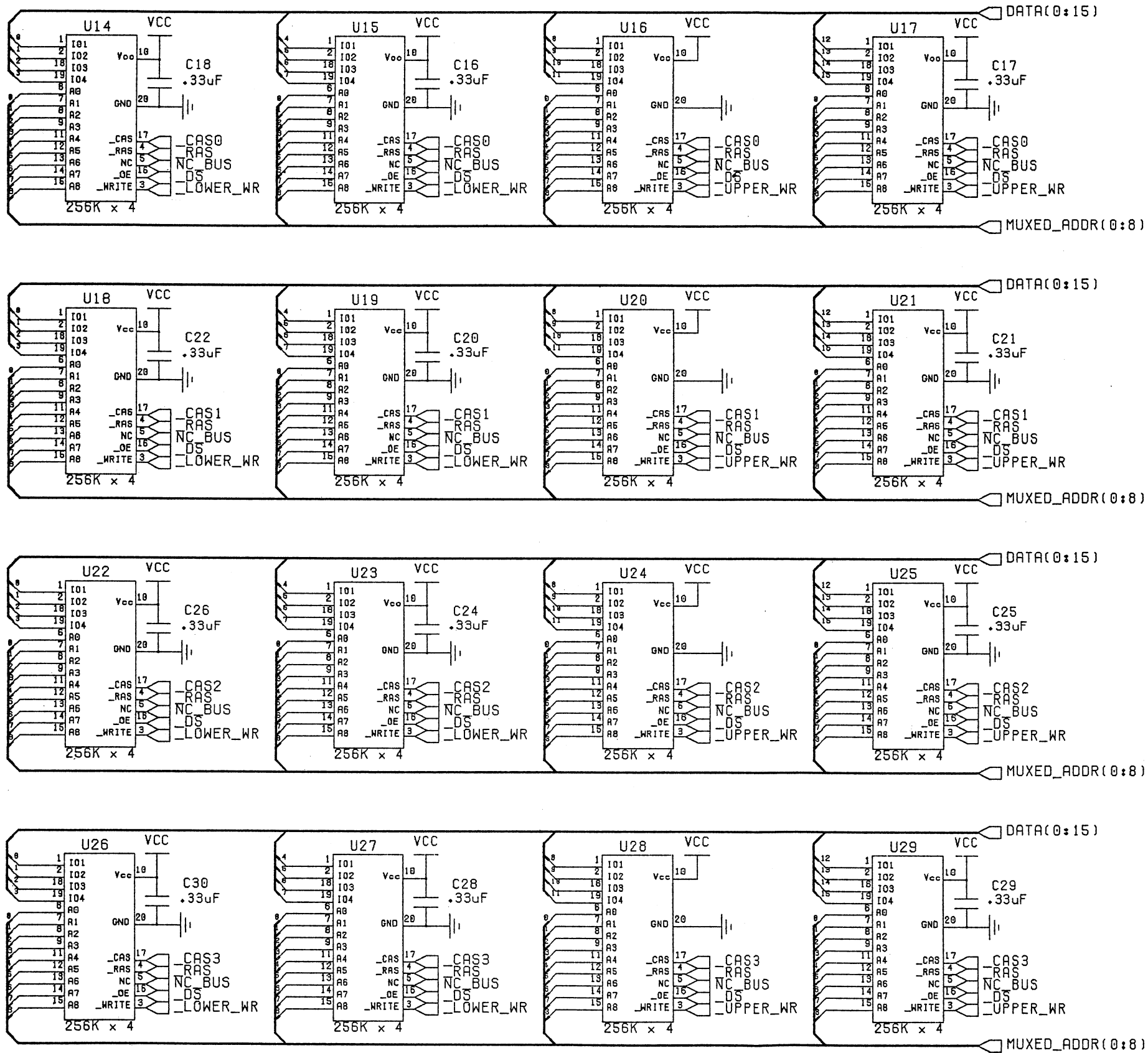


DMAC







NOTE: NO CONNECT ON DRAM'S ARE CONNECTED TOGETHER TO FACILITATE FUTURE CONVERSION TO 4M PART (1M X 4)

Internal SCSI Connector

Pin	Name		
● 50	● 49	50	I/O
● 48	● 47	48	REQ
● 46	● 45	46	C/D
● 44	● 43	44	SEL
● 42	● 41	42	MSG
● 40	● 39	40	RST
● 38	● 37	38	ACK
● 36	● 35	36	BSY
● 34	● 33	34	N.C.
● 32	● 31	32	ATN
● 30	● 29	30	Ground
● 28	● 27	28	Ground
● 26	● 25	26	Termination Power
● 24	● 23	24	Ground
● 22	● 21	22	Ground
● 20	● 19	20	Ground
● 18	● 17	18	Parity
● 16	● 15	16	Data 7
● 14	● 13	14	Data 6
● 12	● 11	12	Data 5
● 10	● 9	10	Data 4
● 8	● 7	8	Data 3
● 6	● 5	6	Data 2
● 4	● 3	4	Data 1
● 2	● 1	2	Data 0

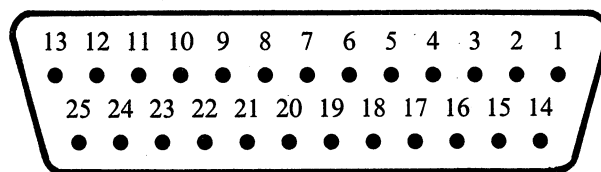
All odd pins, except pin 25, are ground. Pin 25 is open.

Internal XT Connector

Pin	Name		
● 40	● 39	39	Not used
● 38	● 37	37	Select
● 36	● 35	35	Addr 1
● 34	● 33	33	Addr 0
● 32	● 31	31	Int
● 30	● 29	29	Data-Req
● 28	● 27	27	Data-Ack
● 26	● 25	25	IORead
● 24	● 23	23	IOWrite
● 22	● 21	21	Not used
● 20	● 19	19	Ground
● 18	● 17	17	Data 0
● 16	● 15	15	Data 1
● 14	● 13	13	Data 2
● 12	● 11	11	Data 3
● 10	● 9	9	Data 4
● 8	● 7	7	Data 5
● 6	● 5	5	Data 6
● 4	● 3	3	Data 7
● 2	● 1	1	Reset

Pins 18 and 34 are not used.
All other even pins are ground.

External SCSI Connector (DB-25)



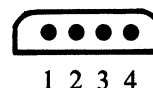
Female Connector

Pin	Name	Pin	Name
1	REQ	14	Ground
2	MSG	15	C/D
3	I/O	16	Ground
4	RST	17	ATN
5	ACK	18	Ground
6	BSY	19	SEL
7	Ground	20	Parity
8	Data 0	21	Data 1
9	Ground	22	Data 2
10	Data 3	23	Data 4
11	Data 5	24	Ground
12	Data 6	25	Termination Power
13	Data 7		

Hard Disk Power Connector

- .85 A Maximum Continuous Current at 12V
- 2.6 A Maximum Startup Current at 12V
- 1.0 A Maximum Continuous Current at 5V

- 1. +5 VDC
- 2. ground
- 3. ground
- 4. +12 VDC



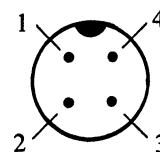
Fan Connector

- 1. +12 VDC
- 2. ground
- 3. +12 VDC



4 Pin Power Connector

- 1. +5 VDC
- 2. ground
- 3. power sense
- 4. +12 VDC



DIP Switch Settings

Switch 1	off	Disables Autoboot ROMs	Kickstart 1.2
	on	Enables Autoboot ROMs	Kickstart 1.3
Switch 2	off	LUN disabled	One drive at each address.
	on	LUN enabled	Multiple drives at each address.
Switch 3	off	Time-out disabled	Short wait period for drive.
			Parity checking enabled.
	on	Time-out enabled	Long wait period for drive.
			Parity checking disabled on message-in phase.
Switch 4		Reserved for future enhancements.	

Note: Parity checking is not supported on some Seagate drives. With these drives set the switch to the on position.

Switch 1: Autoboot Enable If you are using Kickstart 1.3, you can set Switch 1 to the **on** position. This will allow you to boot your system from the A590.

Switch 2: LUN Enable This switch only affects SCSI drives. If you have more than one device at a physical address, set Switch 2 to **on**. When this switch is in the **off** position, the system only looks for one Logical Unit Number (LUN), or one drive, at each physical SCSI address. When this switch is in the **on** position the system will attempt to open Logical Units 0 through 7 at each physical SCSI address.

Note: Some SCSI drives such as certain Seagate™ and Epson™ drives, respond to more than one logical address. Such drives will appear on the Workbench screen and the **Hard Drive Preparation, Partitioning and Formatting** screen in **HDTtoolbox** multiple times, at the same Address but at LUN 0 through 7. If this occurs, set switch 2 to **off**.

Switch 3: Time-out Length If you are using a SCSI drive that takes longer than thirty seconds to start up when you turn the system on, such as some Seagate drives, you may wish to set Switch 3 to **on**. When the switch is on the **off** position the time-out period, (the time between the start-up and when the system checks the drive), is short. When the switch is in the **on** position the system will wait a longer time before checking the drive.

Switch 4: Reserved.

Jumper Settings

Note: The A590 is shipped with all jumpers set to 1.

JUMPER	SETTING	NOTES
JP1	1. Amnesia 2. 512K 3. 1MB 4. 2MB	RAM memory installed on the A590 board.
JP3	1. XT drive 2. SCSI drive	Sets LED for XT or SCSI drive.
JP4	1. Interrupt 2 2. Interrupt 6	Interrupt level. Not user adjustable.