

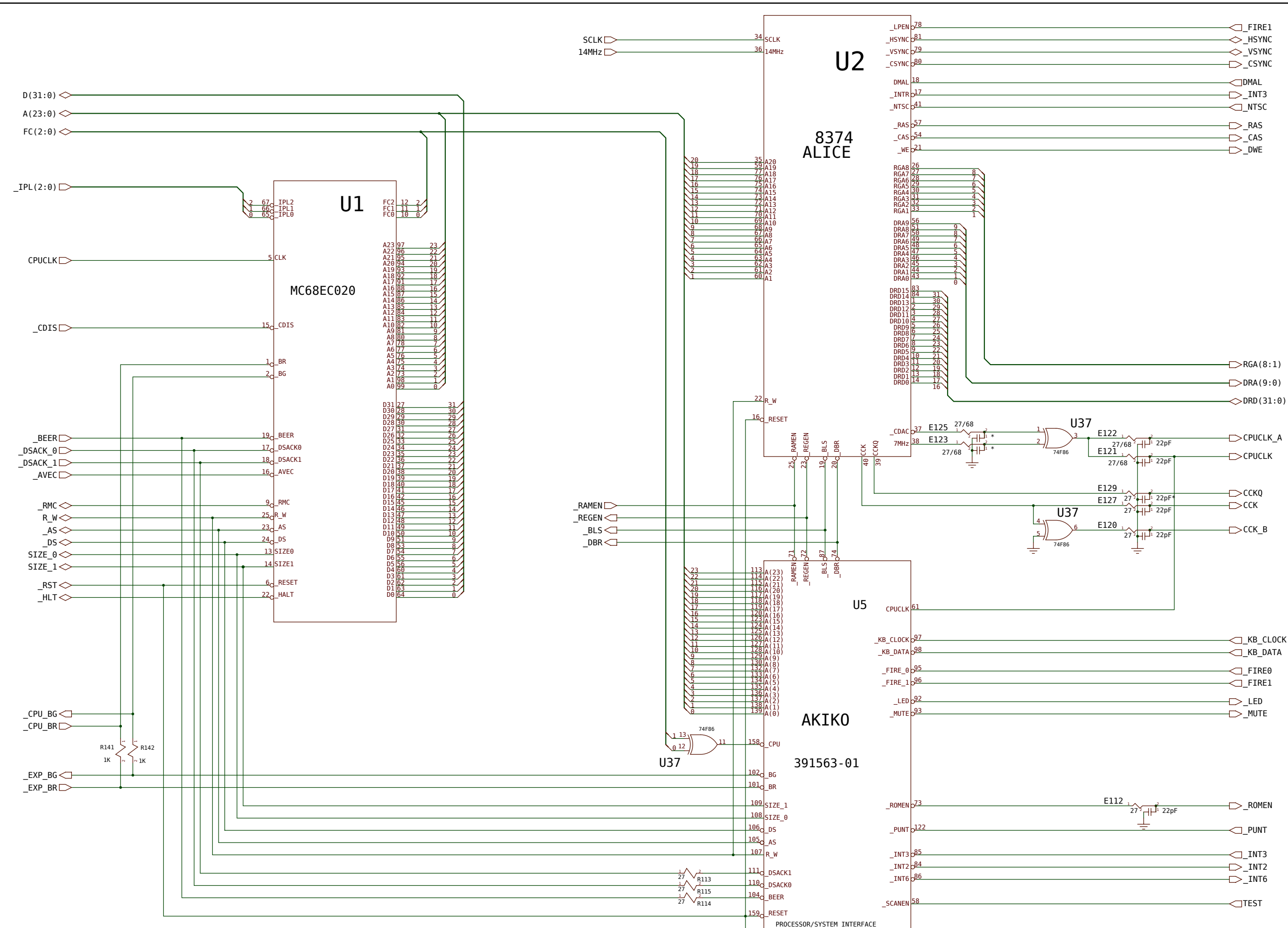
Amiga

CD32_R3

Rev.1.38 (02.09.2012)



www.amigawiki.org

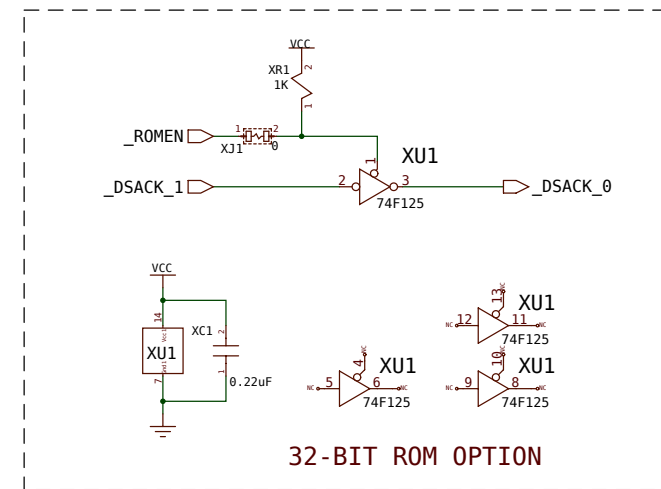
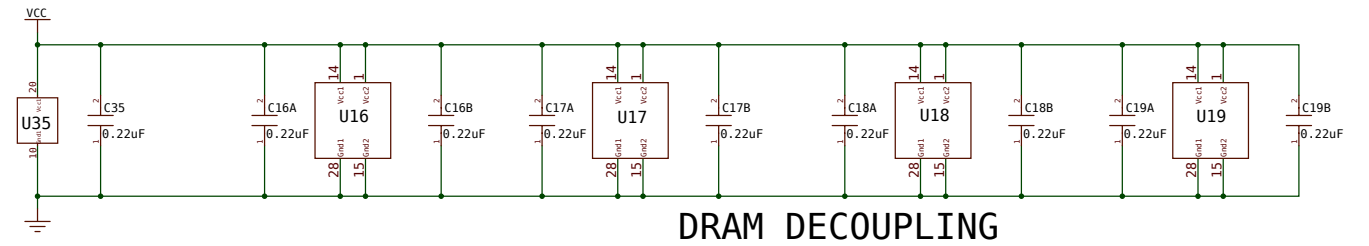
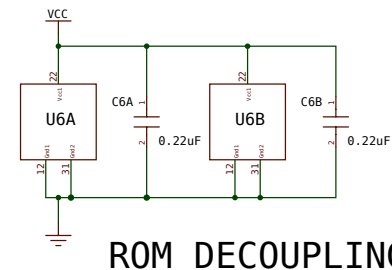
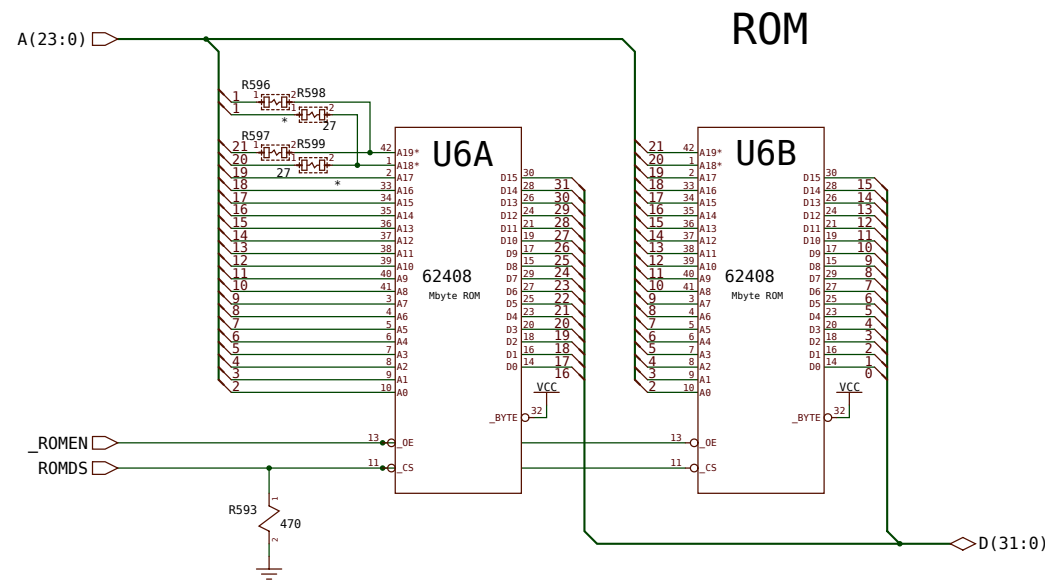
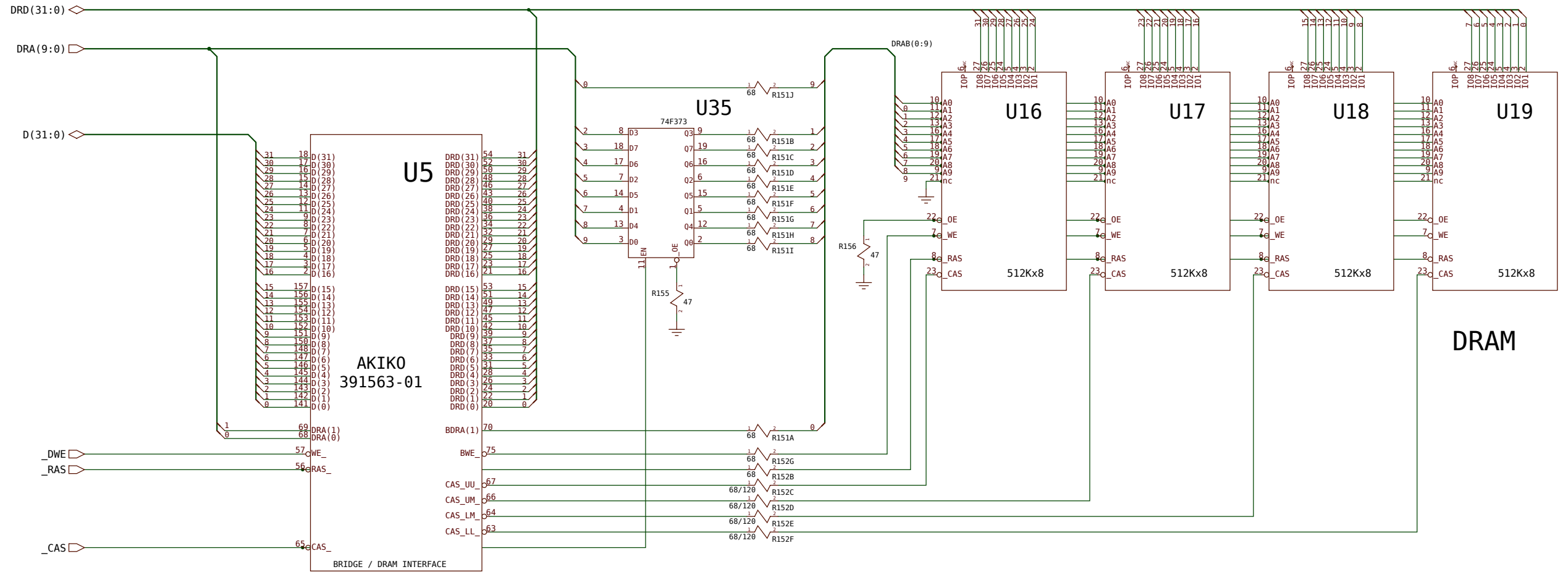


07/20/93
 Spellbound
 CD/GS PLAYER PCB

Note: Various components are for EMI Control
 and may be loaded with funny things...

PROCESSOR AND OTHER USEFUL COMPONENTS			
DESIGN BY:	G. Robbins	DATE:	08/02/93
DESIGN:	GGP	REV:	001/00/93
LAST. MOD:		REV:	000/00/93
CHKD:		REV:	000/00/93
APPRO:		REV:	000/00/93
USED ON:		NEXT ASSY:	
C/A100	365101	SCALE:	C 365100
C.A.D. Generated		SHEET 2 OF 10	
No manual changes may be made to this document			

Rev. 1.00 (07/20/93)



CD/GS PLAYER PCB

ROM DECOUPLING

MEMORY AND... WELL, I USED TO REMEMBER

© 1992 Commodore Business Machines
 Information contained herein is the unpublished,
 confidential and trade secret property of
 Commodore Business Machines, Inc. Any use,
 reproduction or disclosure of this information
 without the prior written permission of
 Commodore is strictly prohibited.

C.A.D. Generated
 No manual changes may be made to this document

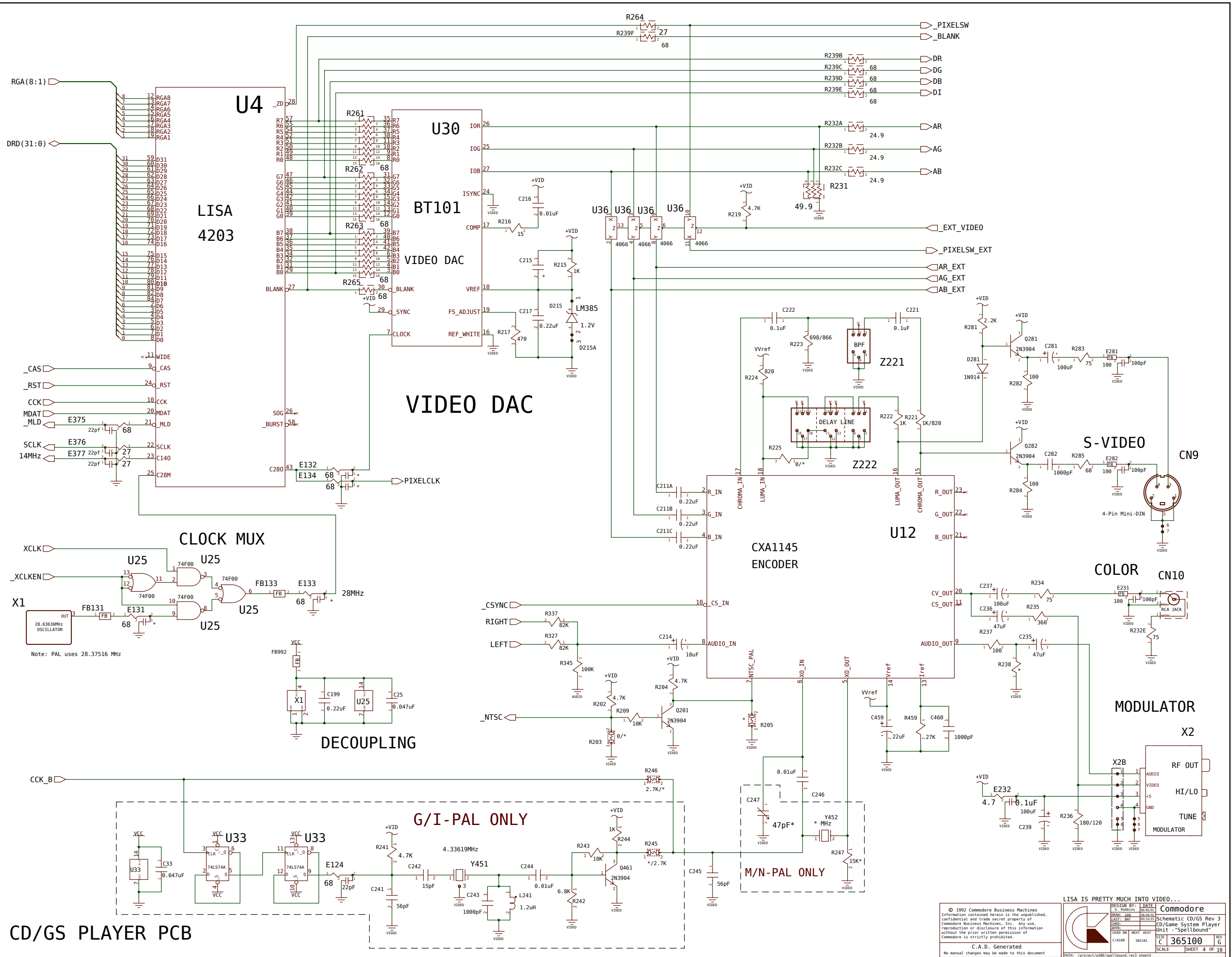
DESIGN BY:	G. Robbins	DATE:	08/02/92
DRWG:	GRB	REV:	01/01/92
LAST. MOD:	09/16/92		
CHKD:			
APPR:			
USED ON:		NEXT ASSY:	
C/A100:		365101:	

Commodore
 CD/Game System Player
 Unit - "Spellbound"

SCALE: 365100
 SHEET 3 OF 10
 REV G

PATH: /project/a300/spellbound_rev3.shtm

Rev. 1.00 (02/05/2012)



CD/GS PLAYER PCB

rebuild for www.amigawiki.org · for private use only

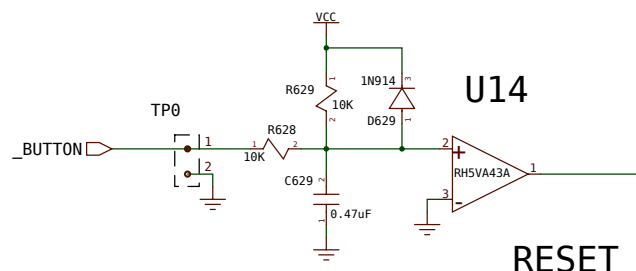
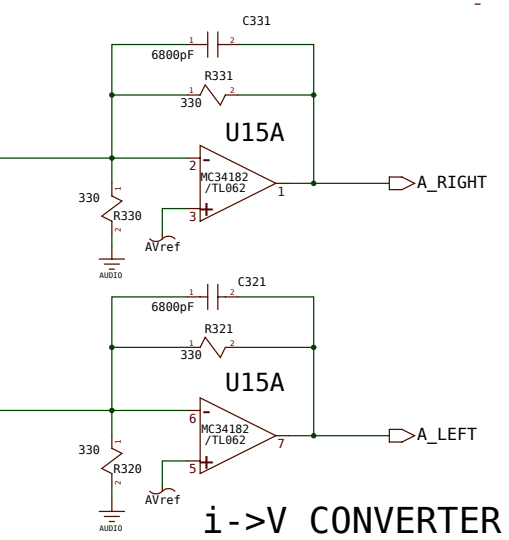
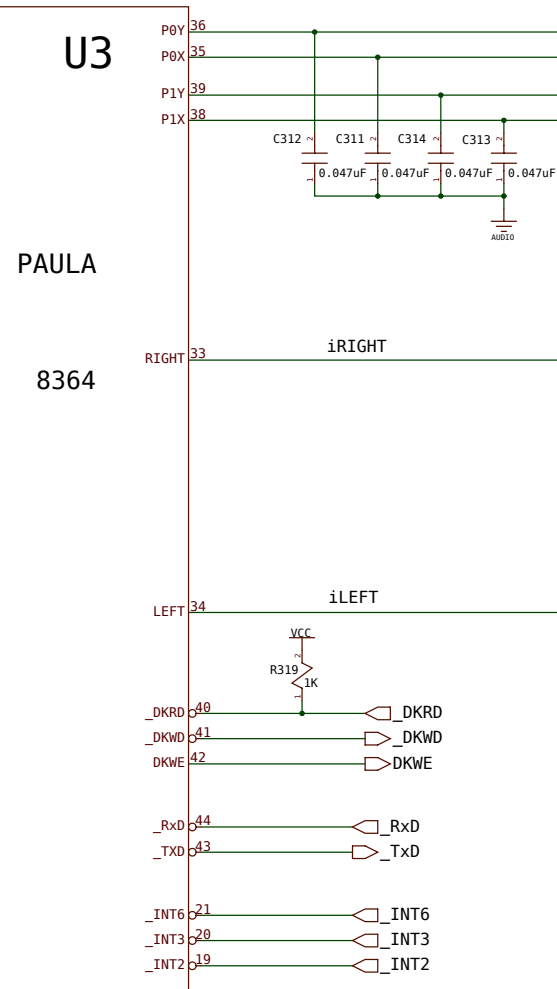
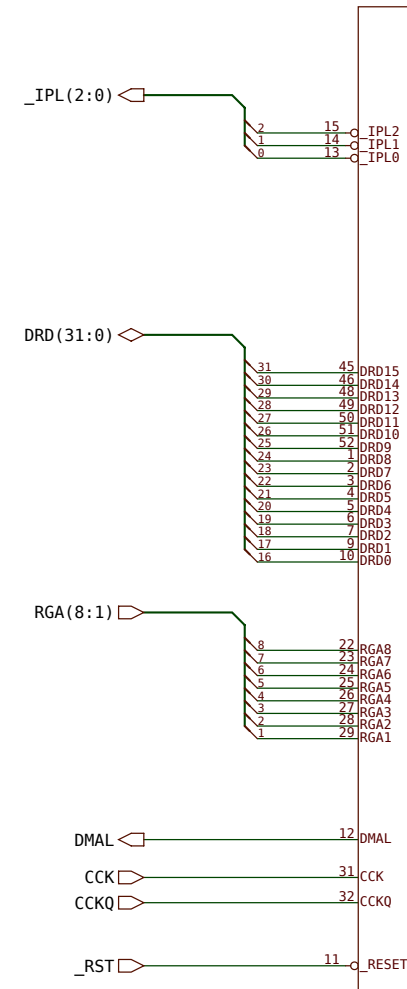
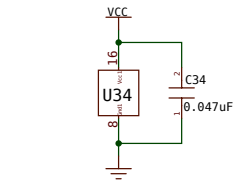
LISA IS PRETTY MUCH INTO VIDEO...

© 1992 Commodore Business Machines Information contained herein is the unpublished, confidential and trade secret property of Commodore Business Machines, Inc. Any use, reproduction or disclosure of this information without the prior written permission of Commodore is strictly prohibited.		Commodore Schematic CD/GS Rev 3 Unit - "Spellbound" C 365100 SCALE SHEET 4 of 10	
DESIGN BY: G. Robbins	DATE: 08/02/92	USID OR C/A100	REV G

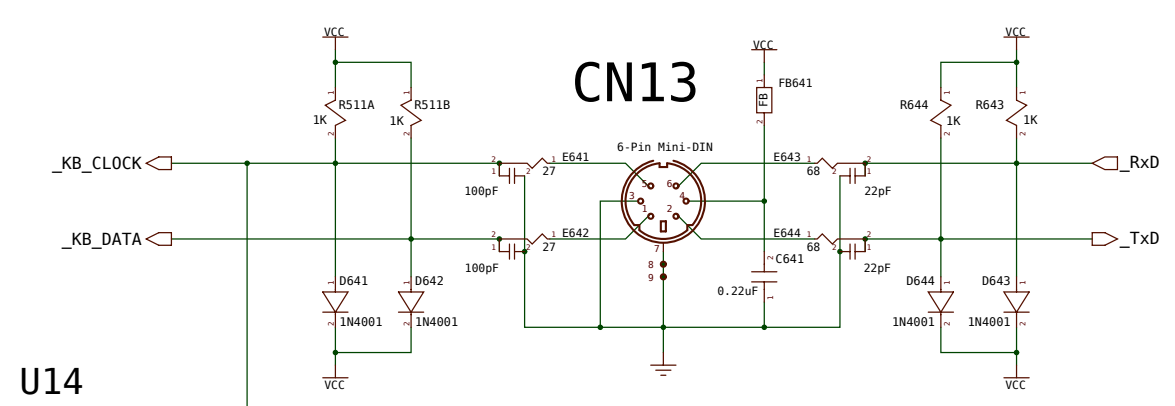
C.A.D. Generated
No manual changes may be made to this document

PATH: /proj/rect/a300/spellbound_rev3.sht4

DECOUPLING



CONTROLLER/MOUSE/JOY PORTS



CD/GS PLAYER PCB

rebuild for www.amigawiki.org · for private use only

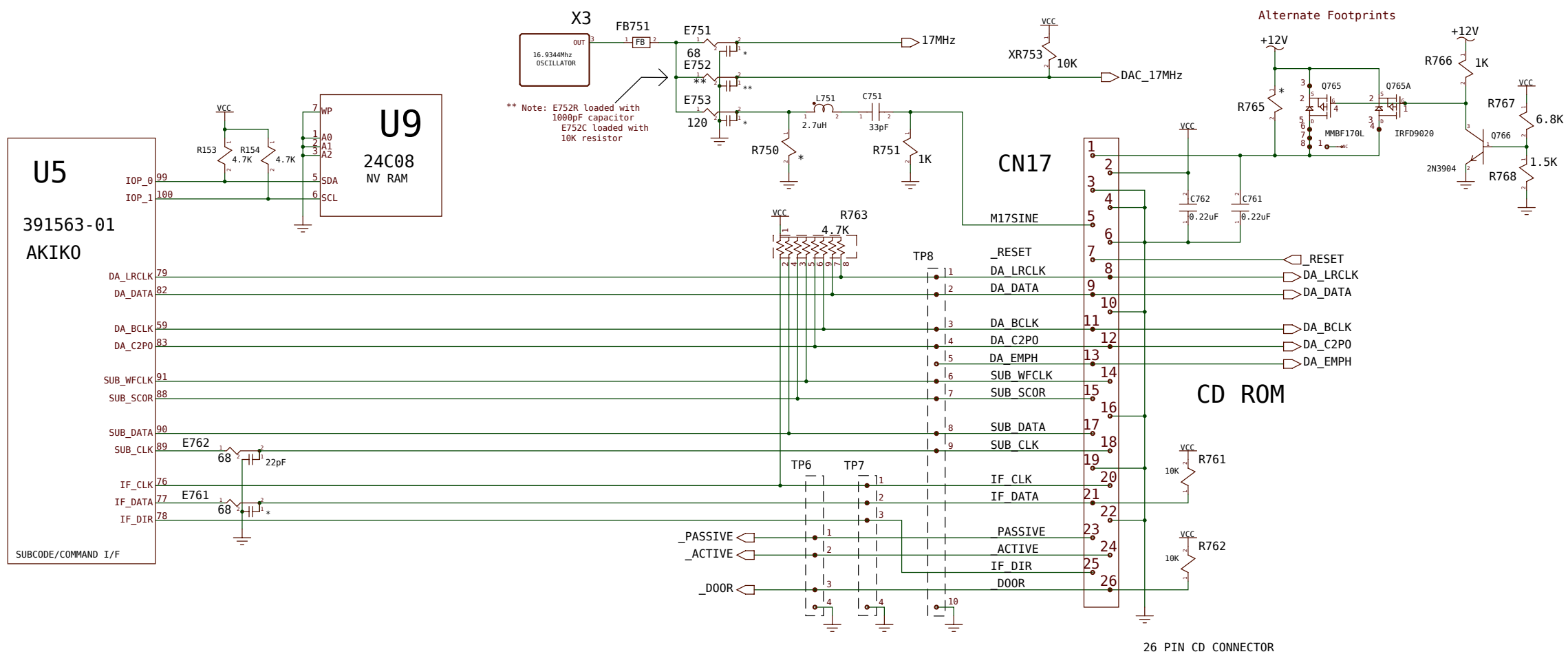
PAULA PREFERS THE TRADITIONAL MODES

DESIGN BY: G. Robbins	DATE: 08/02/92
CD/GS: 365	08/02/92
LAST: 000	08/02/92
CHG:	
APP:	
USED ON:	NEXT ASSY:
C/A100	365101

© 1992 Commodore Business Machines
Information contained herein is the unpublished, confidential and trade secret property of Commodore Business Machines, Inc. Any use, reproduction or disclosure of this information without the prior written permission of Commodore is strictly prohibited.

C.A.D. Generated
No manual changes may be made to this document

Commodore
Schematic CD/GS Rev 3
Unit - "Spellbound"
SHEET 5 OF 10
SCALE



Rev. 1.00 (01/05/2012)

CD/GS PLAYER PCB

© rebuild for www.amigawiki.org · for private use only

CD ROM, THE WAVE OF THE FUTURE - NOT!

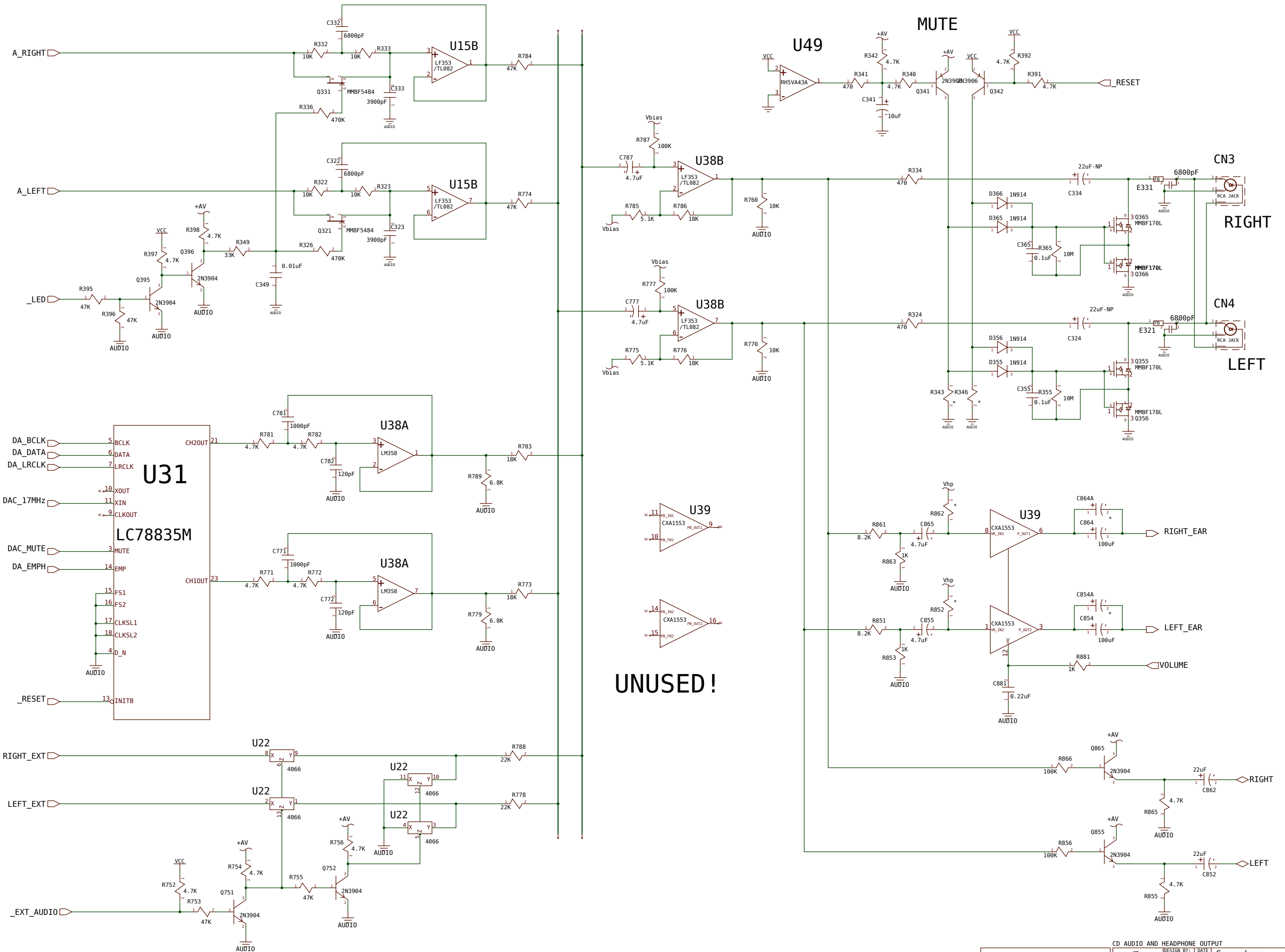
DESIGN BY:	G. Robbins	DATE:	08/02/92
ORIGIN:	208	REV:	02/01/92
LAST. BY:		DATE:	
CHKD:		DATE:	
APPR:		DATE:	
USED ON:	NEXT ASSY	STR:	
C/A100	365101	STR:	

Commodore
Schematic CD/GS Rev 3
CD/Game System Player
Unit - "Spellbound"

C.A.D. Generated
No manual changes may be made to this document

SCALE: SHEET 6 OF 10

DATE: /rprojct/a300/spellbound_rev2_sheet6

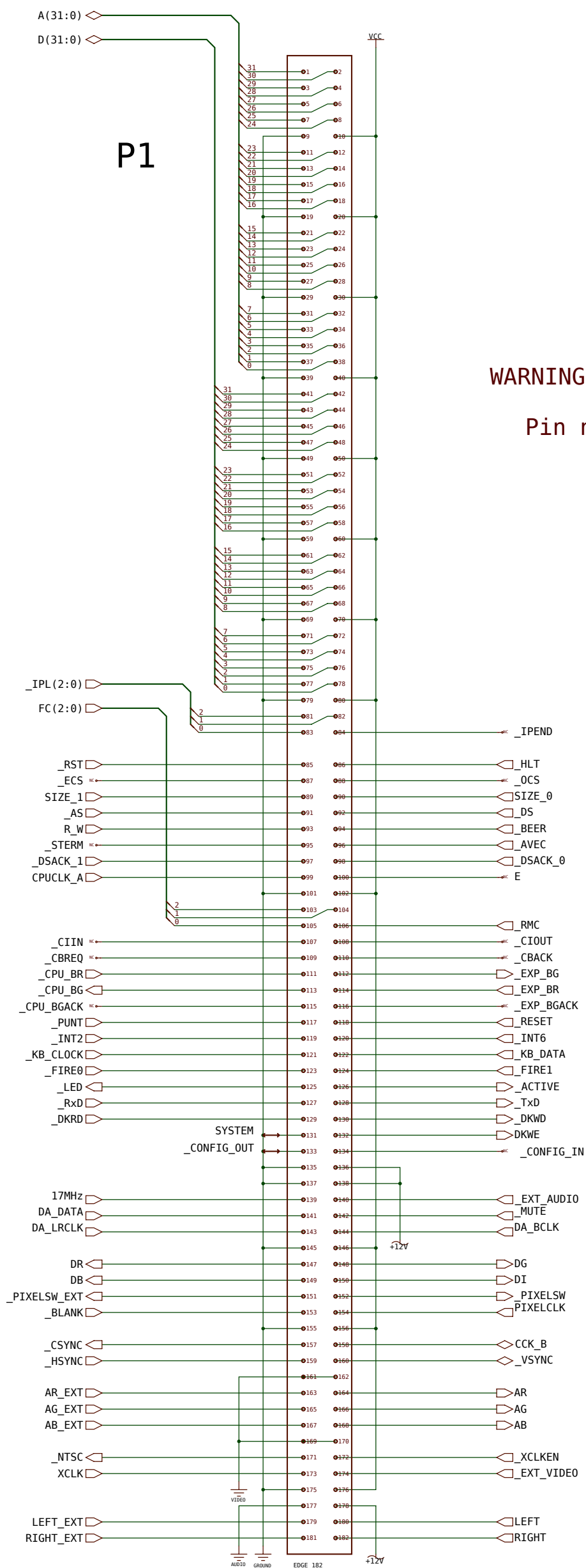


CD/GS PLAYER PCB

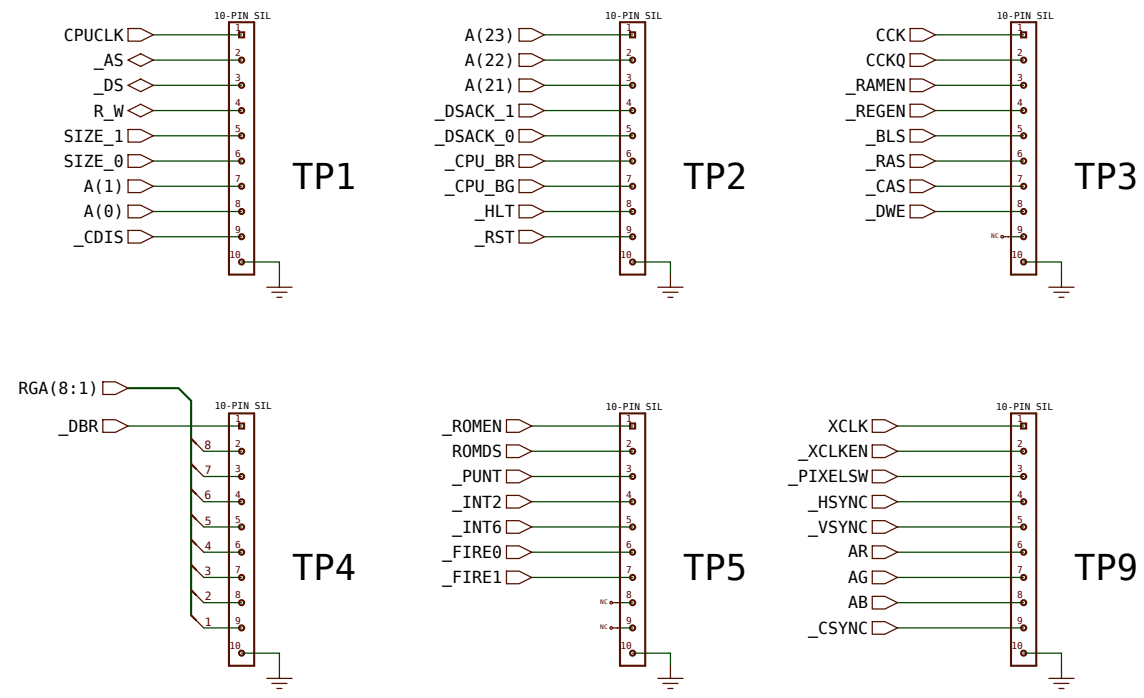
© rebuild for www.amigawiki.org · for private use only

© 1992 Commodore Business Machines Information contained herein is the unpublished, confidential and trade secret property of Commodore Business Machines, Inc. Any use, reproduction or disclosure of this information without the prior written permission of Commodore is strictly prohibited.		Commodore Schematic CD/GS Rev 3 Unit - "Spellbound" C 365100 SCALE SHEET 7 OF 10	
DESIGN BY:	G. Robbins	DATE:	08/02/92
DRW:	gob	REV:	02/01/92
LAST. BY:		CHKD:	
APPR:		STR:	
USED ON:	C/Al00	NEXT ASSY:	365101
C/Al00		SCALE:	
C.A.D. Generated		No manual changes may be made to this document	
PATH: c:\proj\c330\spellbound_rev3.shtm7			

EXPANSION CONNECTOR

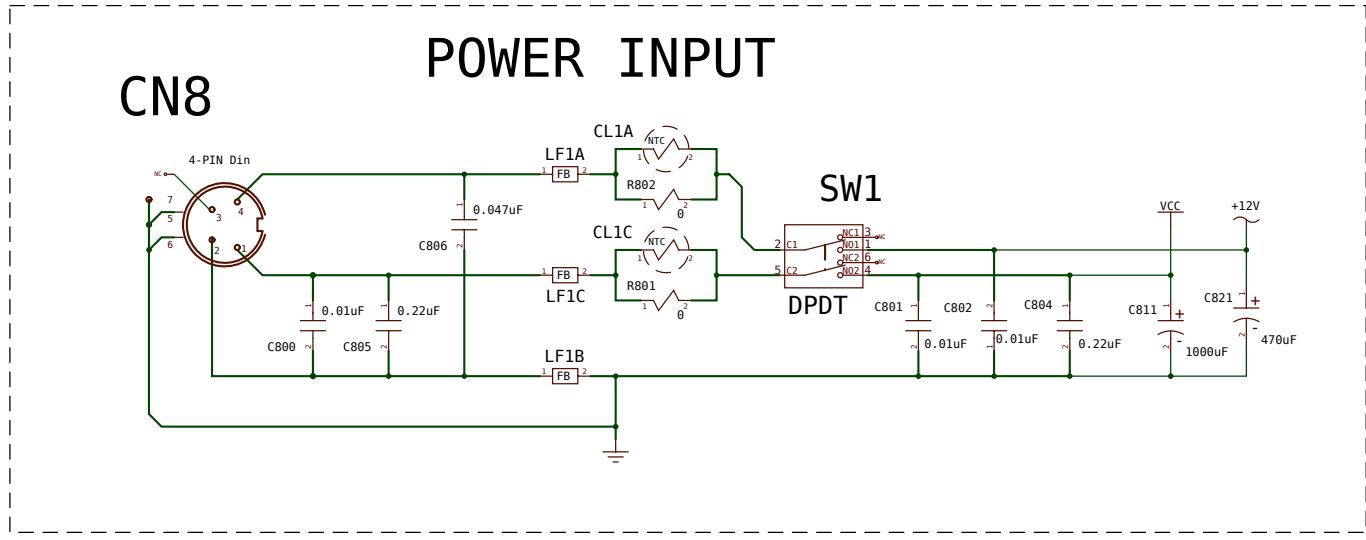
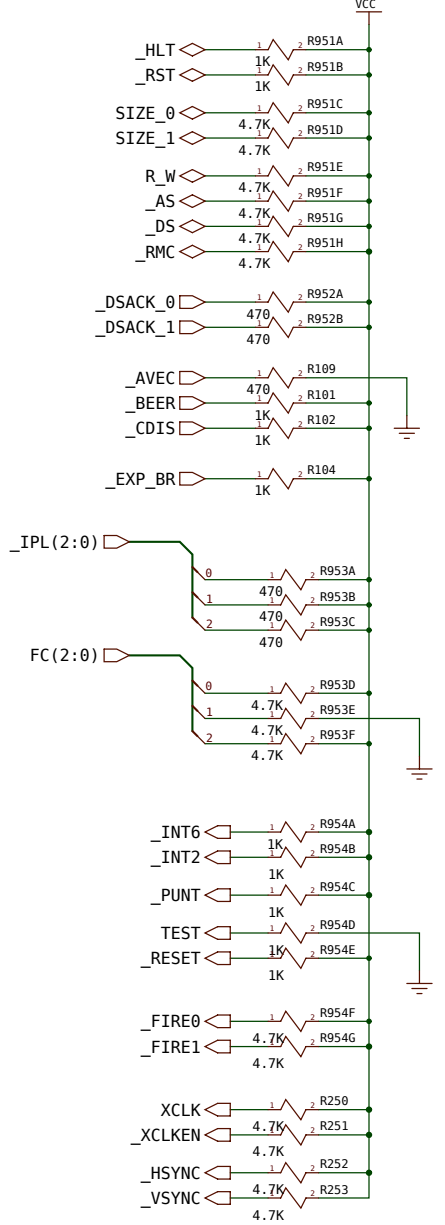


WARNING:
Pin numbers are backwards

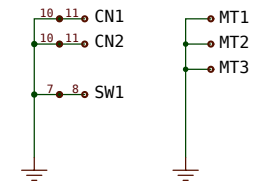


TEST ACCESS

TERMINATION



HOLES &c.



CD/GS PLAYER PCB

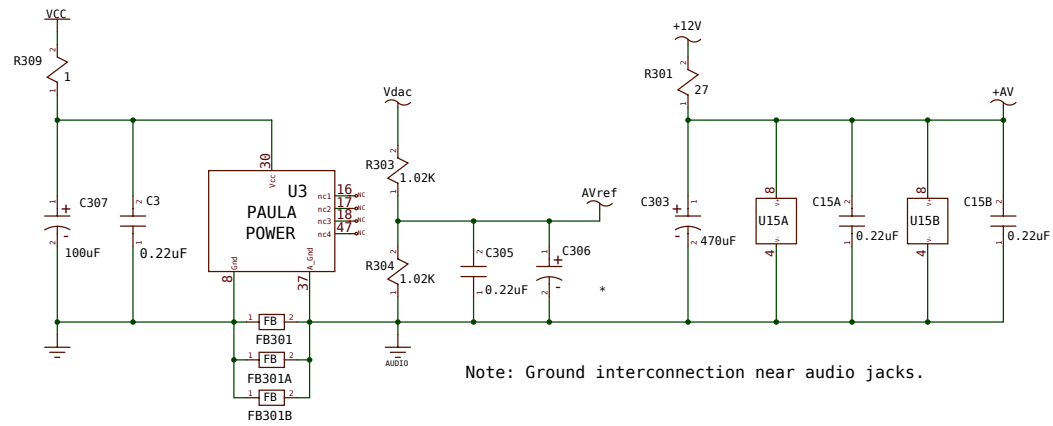
USER INTERFACE AND RELATED DEAD ENDS

DESIGN BY: G. Robbins	DATE: 08/02/92	<p>Commodore Schematic CD/GS Rev 3 Unit - "Spellbound"</p>
DESIGN: GRS	DATE: 08/02/92	
CHKD: JMM	DATE: 08/02/92	
APPR: JMM	DATE: 08/02/92	
USED ON: C/A100	NEXT ASSY: 365101	<p>SCALE: C</p> <p>365100</p> <p>REV: G</p>

C.A.D. Generated
No manual changes may be made to this document
PATH: r:\rj\c:\a300\spellbound_rev3_sheet9

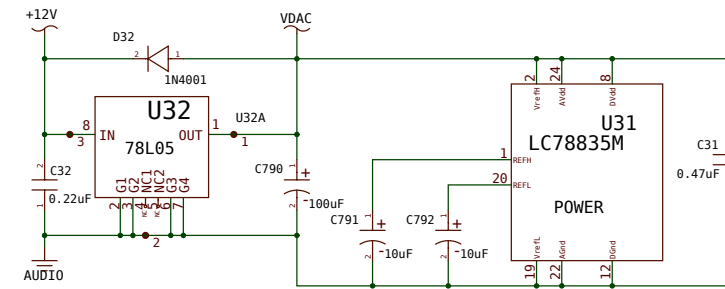
Rev. 1.00 08/02/92

PAULA/AUDIO DECOUPLING

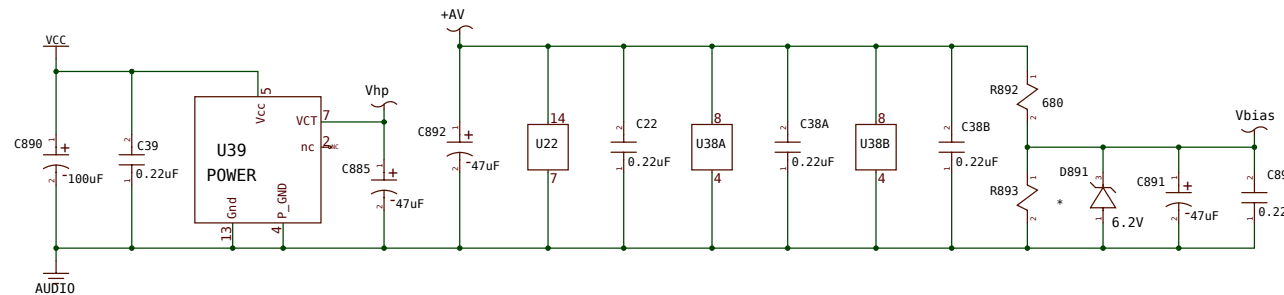


Note: Ground interconnection near audio jacks.

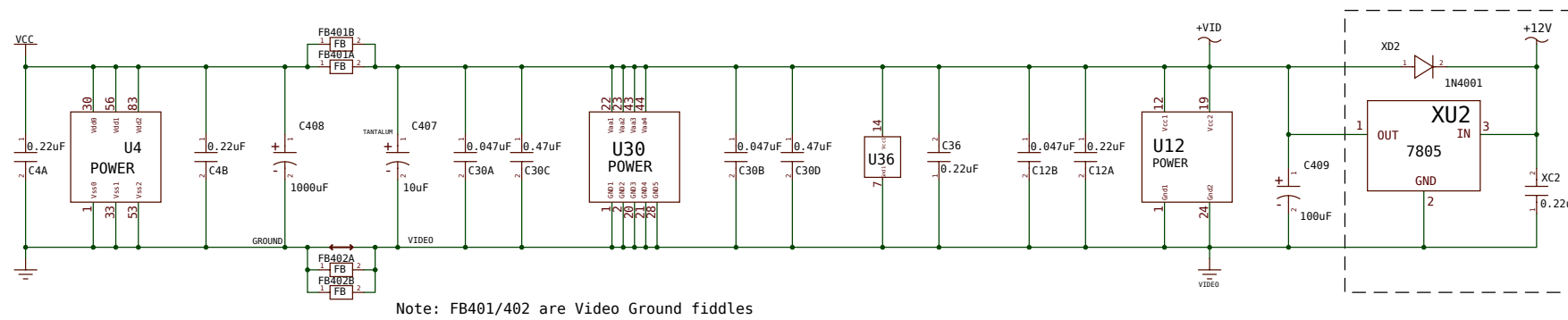
CD/AUDIO DAC DECOUPLING



HEADPHONE/AUDIO DECOUPLING

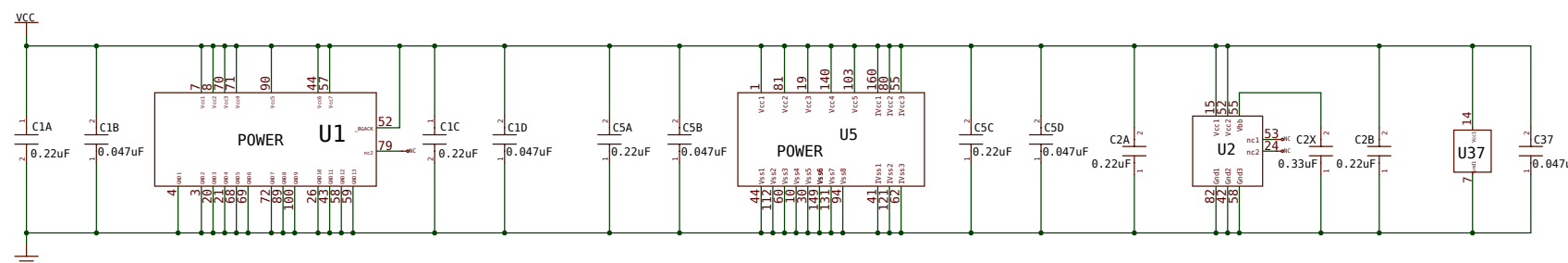


VIDEO DECOUPLING

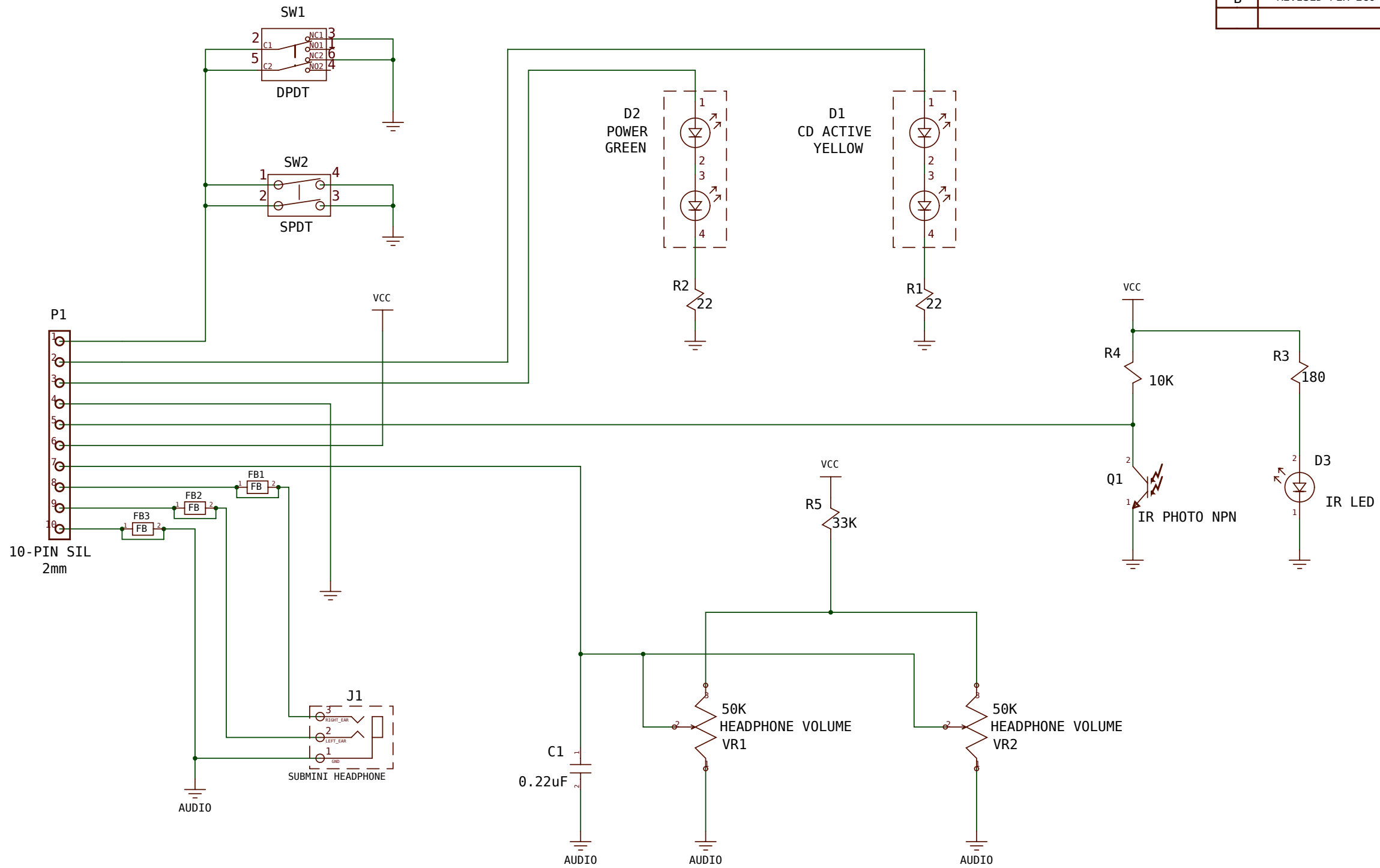


Note: FB401/402 are Video Ground fiddles

PROCESSOR/AKIKO/ALICE DECOUPLING



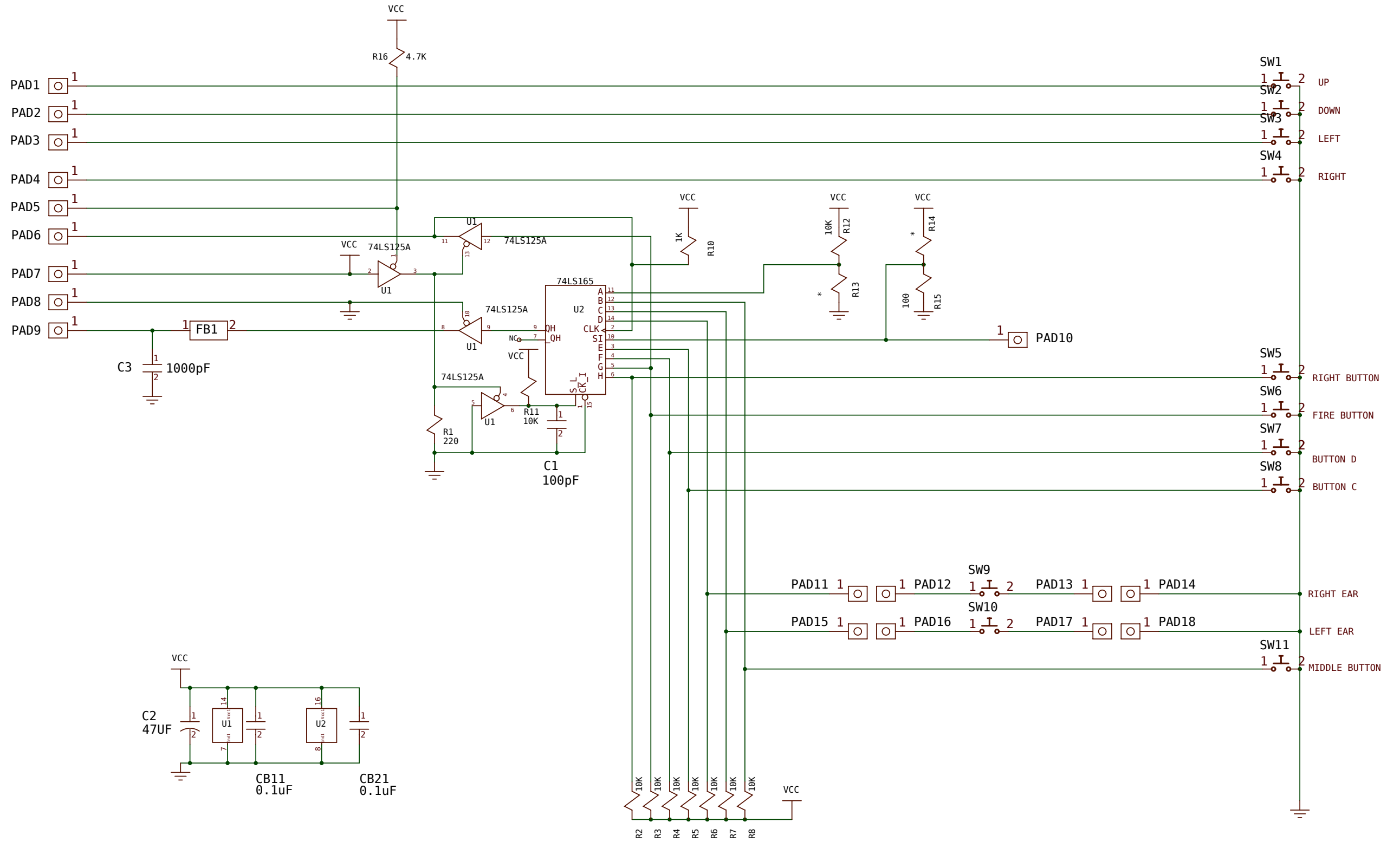
REVISIONS				
REV	DESCRIPTION	DATE	APRVL	MANAGER
1	ADVANCE ENGINEERING RELEASE	2/3/93	GRR	
2	REVISED PER ECO 930087	3/10/93	BB	
A	PILOT PRODUCTION RELEASE	4/15/93	GRR	
B	REVISED PER ECO			



THIS SPACE FOR WHITE-OUT ONLY

© 1993 Commodore Business Machines Information contained herein is the unpublished, confidential and trade secret property of Commodore Business Machines, Inc. Any use, reproduction or disclosure of this information without the prior written permission of Commodore is strictly prohibited.		DESIGN BY: B. Fenimore DATE: 5/13/93 DRAW: BAF LAST: BAF 5/13/93 CHRD: APPR: USED ON: CDGS NEXT ASSY: 356168	Commodore SCHEMATIC DISPLAY PCB CD GAME SYSTEM SIZE: B 365229 SCALE: SHEET 1 OF 1 REV: 1
C.A.D. Generated No manual changes may be made to this document		PATH: /user/fenimore/CDG/led Assy.rev1 sheet1	

Rev. 1.38 (02.09.2012)



PLUG AND PLAY BABY

© 1993 Commodore Business Machines Information contained herein is the unpublished, confidential and trade secret property of Commodore Business Machines, Inc. Any use, reproduction or disclosure of this information without the prior written permission of Commodore is strictly prohibited.		Commodore Schematic A100 Game Controller Unit - "Spellbound"	
DESIGN BY: D. Fabrizio	DATE: 12/18/92	SCALE:	SHEET 1 OF 1
DRAWN BY: BAF	09/22/93	SIZE: B	REV: 3
LAST BY: BAF	09/22/93	USED ON:	C/A100
APPROX:	NEXT ASSY:	PATH: /project/a380/game_cont.rev3 sheet1	
C.A.D. Generated No manual changes may be made to this document			

Rev. 1.38 (02.09.2012)